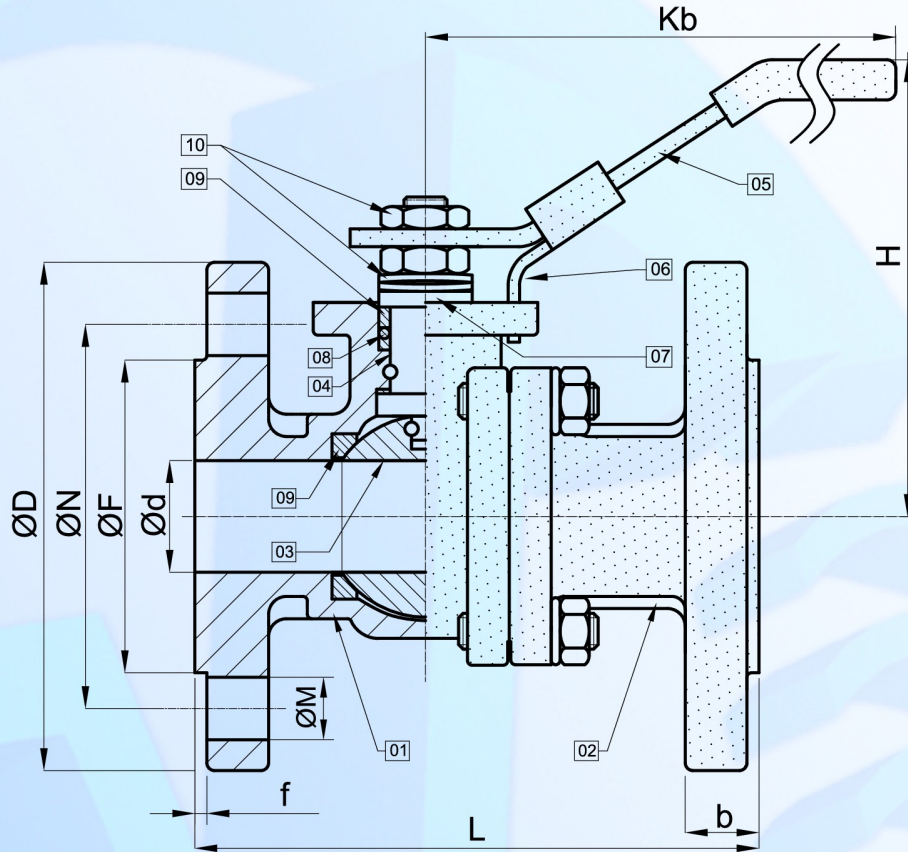


FLANGED



Type: 2PC-VKV-FL

(DN 15 - DN 100)



NO	PART NAME	STAINLESS STEEL VALVE
1	BODY	AISI 316 (ASTM-351-CF8M) / AISI 304
2	END CAP	AISI 316 (ASTM-351-CF8M) / AISI 304
3	BALL	AISI 316 (ASTM-351-CF8M)
4	STEM	AISI 316
5	HANDLE	AISI 304
6	LOCKING DEVICE	AISI 304
7	GLANG	AISI 304
8	STEM STEEL RING	AISI 304
9	SEATS	P.T.F.E.
10	NUT - WASHER	AISI 304

TYPE	SIZE	DIMENSIONS			CONNECTION DIMENSIONS							PRESSURE CLASS	
	MM	L	Kb	H	Ød	ØD	ØN	ØF	b	f	ØM		Kg
2PC - VKV - FL	DN 15	115	140	93	15	95	65	45	16	2	14	2,4	PN 40
	DN 20	120	140	95	20	105	75	58	18	2	14	3,2	
	DN 25	125	175	115	25	115	85	68	18	2	14	3,9	
	DN 32	130	180	120	32	140	100	78	18	2	18	5,6	
	DN 40	140	200	140	38	150	110	88	18	3	18	7,4	
	DN 50	150	200	145	50	165	125	102	20	3	18	9,4	
	DN 65	170	225	160	65	185	145	122	18	3	18	13,5	PN 16
	DN 80	180	265	175	80	200	160	138	20	3	18	18,9	
DN 100	190	265	190	100	220	180	158	20	3	18	28,5		