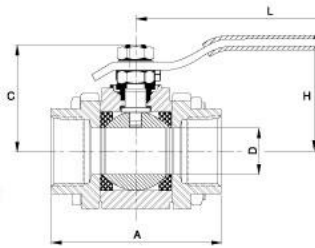


THREE-PIECE HEAVY DUTY-HIGH PERFORMANCE BALL VALVES

BB-301 1000 WOG STAINLESS STEEL REDUCED PORT BALL VALVE



DIMENSIONS UNIT:mm

SIZE		UNIT:mm					SIZE		UNIT:mm				
in	mm	A	C	ØD	H	L	in	mm	A	C	ØD	H	L
1/4"	8	66.0	38.1	11.2	45.2	119.4	1-1/4"	32	108.0	60.7	25.4	65.5	147.1
3/8"	10	66.0	38.1	11.2	45.2	119.4	1-1/2"	40	116.1	73.2	31.8	78.7	182.1
1/2"	15	66.0	38.1	11.2	45.2	119.4	2"	50	128	78.2	38.1	83.6	182.1
3/4"	20	71.1	40.4	14.2	47.5	119.4	2-1/2"	65	151.4	88.4	50.8	93.2	267.0
1"	25	94.0	55.9	20.6	62.0	147.1							

SPECIFICATIONS

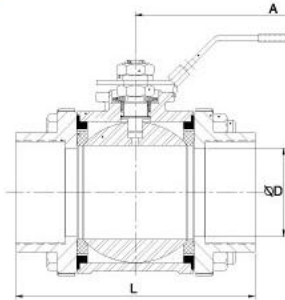
- Size Range 1/4"~2-1/2"
- Blow-out proof stem design
- ISO5211 mounting pad
- Chemical, food, oil / gas, etc.
- All S.S weld ends in S.S 316L / CF3M
- 100% tested air under water at 100psi, open and closed positions
- Working pressure 1000psi WOG
- End types threaded, socket welding, butt welding

MATERIALS LIST

Designation	STAINLESS STEEL	CARBON STEEL
BODY	ASTM A351 GR. CF8M	ASTM A216 GR. WC8
CAP	ASTM A351 GR. CF3M	ASTM A216 GR. WC8
BALL	ASTM A351 GR. CF8M	ASTM A351 GR. CF8
STEM	ASTM A276 TYPE 316	ASTM A276 TYPE 304
HANDLE	S.S. 304	S.S. 304
SEAT	PTFE	PTFE

THREE PIECE THREADED BODY BALL VALVES

BB-311 1000 WOG STAINLESS STEEL FULL PORT BALL VALVE



DIMENSIONS

SIZE		UNIT:mm			SIZE		UNIT:mm		
in	mm	A	ØD	L	in	mm	A	ØD	L
1/2"	15A	120	15	65.4	2"	50A	164	50	133.4
3/4"	20A	120	20	79	2-1/2"	65A	248	65	162.8
1"	25A	148	25	86	3"	80A	248	80	183
1-1/4"	32A	148	32	105	4"	100A	100	227.2	
1-1/2"	40A	164	38	119.5					

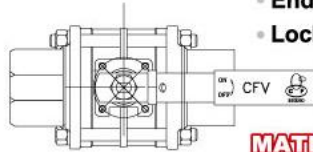
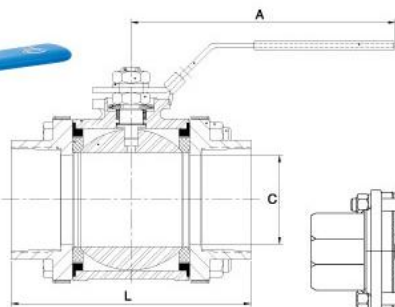
SPECIFICATIONS

- Size Range 1/2"~ 4"
- Blow-out proof stem design
- Working pressure 1/4" ~ 2" : 1000 psi W.O.G
2-1/2" ~ 3" : 800 psi W.O.G
4" : 600 psi W.O.G
- Temperature range : -20 to 450°F

MATERIALS LIST

Designation	Specification
BODY	ASTM A351 CF8M
CAP	ASTM A351 CF8M
STEM	ASTM A276 316
BALL	ASTM A351 CF8M
HANDLE	S.S. 304
SEAT	PTFE

BB-312TH 1000 WOG STAINLESS STEEL FULL PORT BALL VALVE



DIMENSIONS UNIT:mm

SIZE		UNIT:mm			SIZE		UNIT:mm		
in	mm	A	ØC	L	in	mm	A	ØC	L
1/2"	15A	120	15	65.4	2"	50A	164	50	133.4
3/4"	20A	120	20	79	2-1/2"	65A	222	65	162.8
1"	25A	147	25	86	3"	80A	222	80	183
1-1/4"	32A	147	32	105	4"	100A	298	100	227
1-1/2"	40A	164	38	119.4					

SPECIFICATIONS

- Size Range 1/2"~4"
- ISO5211 mounting pad
- Working pressure 1/4" ~ 2" : 1000 psi W.O.G
2-1/2" ~ 3" : 800 psi W.O.G
4" : 600 psi W.O.G
- End types threaded, socket welding, butt welding
- Locking lever handle

MATERIALS LIST

Designation	Specification
BODY	ASTM A351 CF8M
CAP	ASTM A351 CF8M
STEM	ASTM A276 316
BALL	ASTM A351 CF8M
HANDLE	S.S. 304
SEAT	PTFE