



BONNEY FORGE

HOW TO ORDER/SPECIFY CAST STEEL VALVES

SECTION E- AVAILABLE TRIM MATERIALS

TRIM		1	2	5	6	8	9	10	12	13	15	16
API 600 TRIM No.		1	2	5	6	8	9	10	12	13	15	16
Seating Surface	Wedge - Check Disc	F6	F304	Stellite	F6	F6	Monel	F316	F316	ALLOY 20	Stellite	Stellite
	Seat Ring				Monel	Stellite			Stellite			
	Globe Disc				F6	F6			F316			
	Seat Ring				Monel	Stellite			Stellite			
Back Seat			F6	F6	F6						F304	F316
Stem - Hinge Pin									F316			

SECTION F- MODIFICATIONS/SPECIAL REQUIREMENTS

BG	Bevel Gear Operator
BYP	Bypass
CWO	Chainwheel Operated
CRY	Cryogenic Bonnet
EMO	Electric Motor Operator
GD	Guided Disc (Globe Valves)
NACE	NACE Requirements to MR-01-03, latest edition
PMI	Positive Material Identification required

List as a suffix, by abbreviation if possible, any other requirement not shown on this list

Example: 3" 150# RF Flanged Gate Valve, Bolted Bonnet, ASTM A216WCB Body/Bonnet with 1/2 Stellite Trim

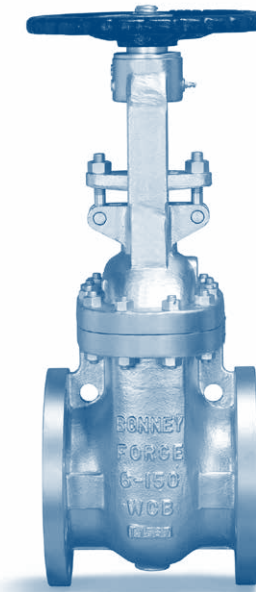


AS: 3" 1-11-RF



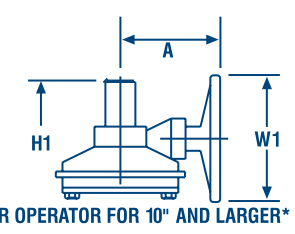
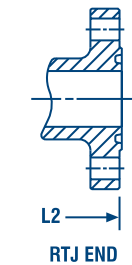
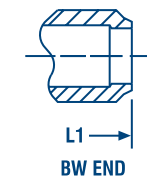
BONNEY FORGE

GATE VALVES - CLASS 150



Design construction:
 API 600, ASME B16.34
 Pressure - Temperature Rating ASME B16.34
 Face to Face / End to End ASME B16.10
 Connection ASME B16.5 / B16.25
 Testing and Inspection API 598

MATERIALS OF CONSTRUCTION		
ITEM	DESCRIPTION	MATERIAL
1	Body	A216 WCB
2	Seat Ring	A105 + Stellite
3	Wedge	A216 WCB / 13% CR.
4	Stem	A182 F6
5	Bonnet Bolt	A193 B7
6	Bonnet Nut	A194 2H
7	Gasket	316 Graphite Corrugated
8	Bonnet	A216 WCB
9	Back Seat	A182 F6
10	Packing	Graphite
11	Eye Bolt Pin	Steel
12	Gland Eye Bolt	A193 GR. B7
13	Packing Gland	A182 F6a
14	Flange Gland	A216 WCB
15	Eye Bolt Nut	A194 GR 2H
16	Grease Nipple	Steel
17	Yoke Sleeve	A439 GR D2
18	Sleeve Nut	Steel
19	Handwheel	Ductile Iron
20	Handwheel Nut	Steel
21	Set Screw	Steel
22	Yoke	A216 WCB
23	Yoke Nut	A194 GR. 2H
24	Yoke Bolt	A193 GR B7
25	Bearing	Steel

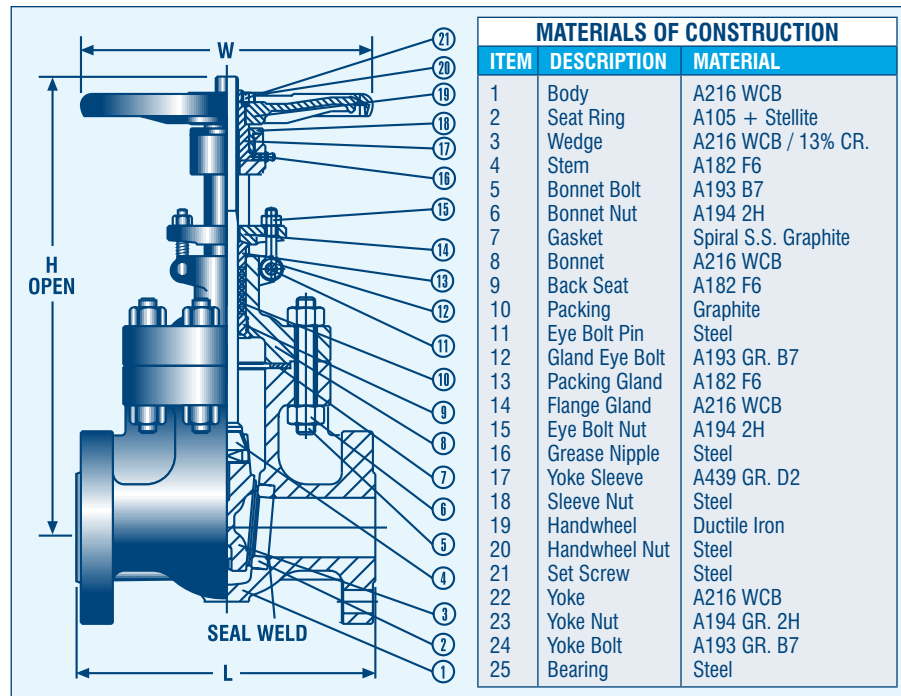
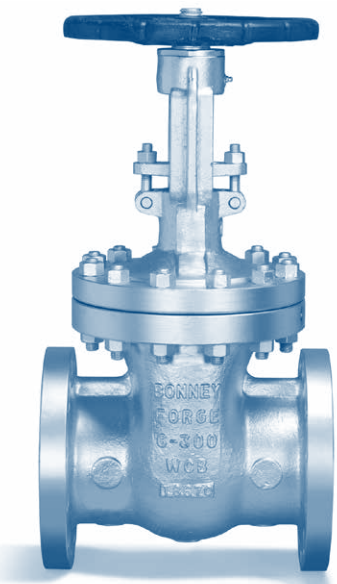


* When requested

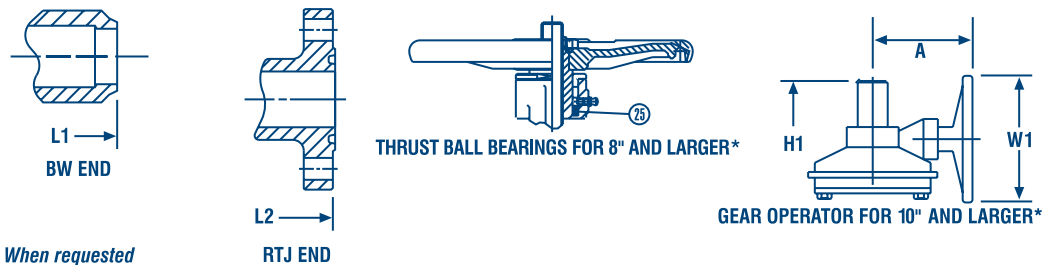
DIMENSIONAL SPECIFICATIONS																
SIZE	inch	2 50	2.5 65	3 80	4 100	5 130	6 150	8 200	10 250	12 300	14 350	16 400	18 450	20 500	24 600	
L	inch	7.00	7.50	8.00	9.00	10.00	10.50	11.5	13.00	14.00	15.00	16.00	17.00	18.00	20.00	
	mm	177.80	190.50	203.20	228.60	254.00	266.70	292.10	330.20	355.60	381.00	406.40	431.80	457.20	508.00	
L1	inch	8.50	9.50	11.12	12.00	15.00	15.88	16.50	18.00	19.75	22.50	24.00	26.00	28.00	32.00	
	mm	215.90	241.30	282.45	304.80	381.00	403.35	419.10	457.20	501.65	571.50	609.60	660.40	711.20	812.80	
L2	inch	7.50	8.00	8.50	9.50	10.50	11.00	12.00	13.50	14.50	15.50	16.50	17.50	18.50	20.50	
	mm	190.50	203.20	215.90	241.30	266.7	279.40	304.80	342.90	368.30	393.70	419.10	444.50	469.90	520.70	
W	inch	8	8	10	10	12	14	16	20	20	24	24	25	26	30	
	mm	200	200	250	250	250	300	350	400	500	500	600	640	650	750	
W1	inch	-	-	-	-	-	-	12.0	12.2	12.2	12.2	12.2	18.1	18.1	18.1	
	mm	-	-	-	-	-	-	305	305	305	305	305	460	460	460	
H (OPEN)	inch	16.65	19.50	20.50	23.50	28.00	29.80	39.00	26.50	56.00	60.50	71.30	79.00	87.80	104.00	
	mm	423	495	520	596	711	759	995	1180	1432	1535	1811	2009	2230	2641	
H1 (GEAR)	inch	-	-	-	-	-	-	42.13	50.75	59.41	63.54	72.44	79.21	85.83	100.79	
	mm	-	-	-	-	-	-	1070	1289	1509	1614	1840	2012	2180	2560	
A	inch	-	-	-	-	-	-	8.66	8.66	8.66	14.17	14.17	14.17	16.18	16.18	
	mm	-	-	-	-	-	-	220	220	220	360	360	360	411	411	
WT (RF)	lb	47	62	80	118	133	187	309	447	711	956	1218	1653	2482	3258	
	kg	21	28	36	53	60	84	139	201	320	430	548	744	1117	1466	
WT (BW)	lb	40	47	67	98	120	169	280	398	673	884	1131	1578	2393	3169	
	kg	18	21	30	44	54	76	126	179	303	509	710	1077	1426		
WT (RF & GD)	lb	-	-	-	-	-	-	358	496	760	1000	1262	1720	2549	3324	
	kg	-	-	-	-	-	-	161	223	342	450	568	774	1147	1496	
WT (BW & GD)	lb	-	-	-	-	-	-	329	447	722	929	1176	1644	2460	3236	
	kg	-	-	-	-	-	-	148	201	325	418	529	740	1107	1456	
CV Factors	-	-	410	710	1300	-	3110	5720	8935	13350	-	21560	36091	47615	67862	

B GATE VALVES - CLASS 300

BONNEY FORGE



Design construction:
 API 600, ASME B16.34
 Pressure – Temperature Rating ASME B16.34
 Face to Face / End to End ASME B16.10
 Connection ASME B16.5 / B16.25
 Testing and Inspection API 598

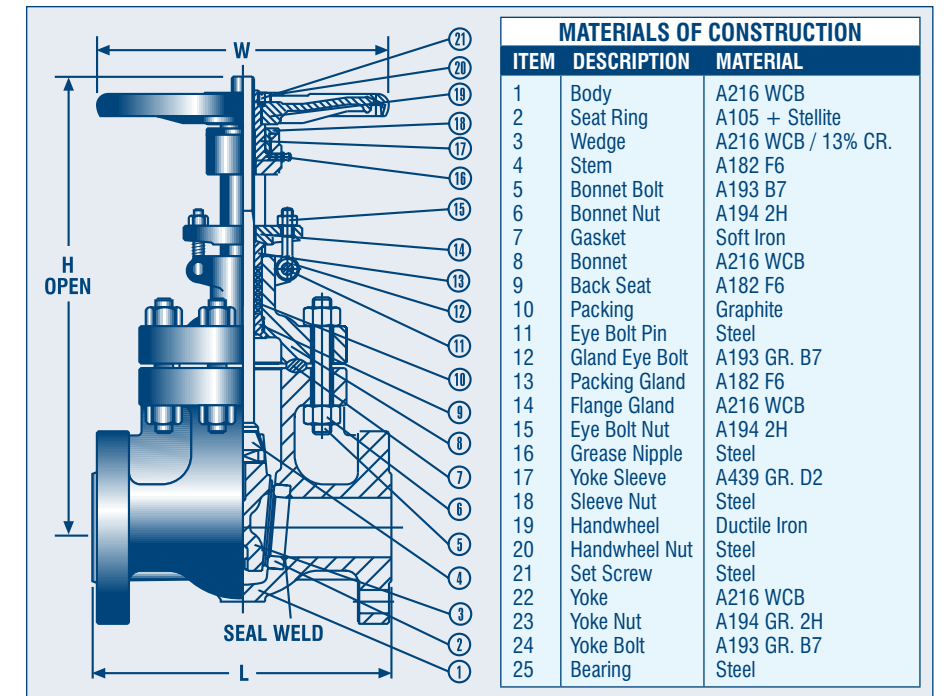
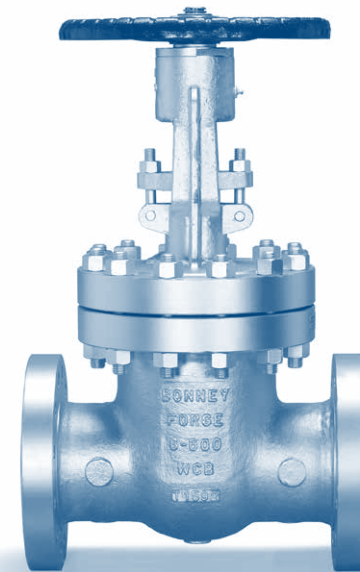


* When requested

DIMENSIONAL SPECIFICATIONS															
SIZE	inch	2	2.5	3	4	5	6	8	10	12	14	16	18	20	24
	mm	50	65	80	100	130	150	200	250	300	350	400	450	500	600
L	inch	8.50	9.50	11.12	12.00	15.00	15.88	16.50	18.00	19.75	30.00	33.00	36.00	39.00	45.00
	mm	215.90	241.30	282.45	304.80	381.00	403.35	419.10	457.20	501.65	762.00	838.20	914.40	990.60	1143.00
L1	inch	8.50	9.50	11.12	12.00	15.00	15.88	16.50	18.00	19.75	30.00	33.00	36.00	39.00	45.00
	mm	215.90	241.30	282.45	304.80	381.00	403.35	419.10	457.20	501.65	762.00	838.20	914.40	990.60	1143.00
L2	inch	9.12	10.12	11.75	12.62	15.62	16.5	17.12	18.62	20.37	30.62	33.62	36.62	39.75	45.88
	mm	231.65	257.05	298.45	320.55	396.75	419.10	434.85	472.95	517.40	777.75	853.95	930.15	1009.65	1165.35
W	inch	8	8	10	10	14	14	16	18	20	25	25	27	30	35
	mm	200	200	250	250	350	350	400	450	500	640	640	680	760	900
W1	inch	-	-	-	-	-	12	12	12	18	18	18	21	21	24
	mm	-	-	-	-	-	305	305	305	460	460	460	540	540	610
H (OPEN)	inch	16.93	20.67	21.85	24.41	31.10	31.69	39.57	48.43	57.68	62.01	69.21	77.72	85.31	111.69
	mm	430	525	555	620	790	805	1005	1230	1465	1575	1758	1974	2167	2837
H1 (GEAR)	inch	-	-	-	-	-	32.87	40.75	50.08	58.23	64.17	71.46	79.17	87.60	105.00
	mm	-	-	-	-	-	835	1035	1272	1479	1630	1815	2011	2225	2667
A	inch	-	-	-	-	-	8.66	8.66	8.66	10.51	14.17	14.17	14.17	16.18	16.18
	mm	-	-	-	-	-	220	220	220	267	360	360	360	411	411
WT (RF)	lb	62.22	80.00	113.33	173.33	237.78	320.00	506.67	711.11	1000.00	1542.22	2400.00	2744.44	3677.78	5155.56
	kg	28	36	51	78	107	144	228	320	450	694	1080	1235	1655	2320
WT (BW)	lb	48.89	60.00	88.89	133.33	191.11	251.11	406.67	564.44	795.56	1280.00	2077.78	2342.22	3184.44	4364.44
	kg	22	27	40	60	86	113	183	254	358	576	935	1054	1433	1964
WT (RF & GO)	lb	-	-	-	-	-	368.89	555.56	760.00	1066.67	1904.44	2604.44	3295.56	4113.33	5853.33
	kg	-	-	-	-	-	166	250	342	480	857	1172	1483	1851	2634
WT (BW & GO)	lb	-	-	-	-	-	300.00	455.56	613.33	862.22	1642.22	2282.22	2893.33	3620.00	5062.22
	kg	-	-	-	-	-	135	205	276	388	739	1027	1302	1629	2278
CV Factors		-	410	710	1300	-	3110	5720	8935	13350	-	21560	36091	47615	67862

B GATE VALVES - CLASS 600

BONNEY FORGE



Design construction:
 API 600, ASME B16.34
 Pressure – Temperature Rating ASME B16.34
 Face to Face / End to End ASME B16.10
 Connection ASME B16.5 / B16.25
 Testing and Inspection API 598



* When requested

DIMENSIONAL SPECIFICATIONS									
SIZE	inch	2	2.5	3	4	5	6	8	10
	mm	50	65	80	100	130	150	200	250
L	inch	11.50	13.00	14.00	17.00	20.00	22.00	26.00	31.00
	mm	292.10	330.20	355.60	431.80	508.00	558.80	660.40	787.40
L1	inch	11.50	13.00	14.00	17.00	20.00	22.00	26.00	31.00
	mm	292.10	330.20	355.60	431.80	508.00	558.80	660.40	787.40
L2	inch	11.62	13.12	14.12	17.12	20.12	22.12	26.12	31.12
	mm	295.15	333.25	358.65	435.85	511.05	561.85	663.45	790.45
W	inch	10	10	10	14	16	18	20	24
	mm	250	250	250	350	400	450	500	600
W1	inch	-	-	-	-	-	12	18	24
	mm	-	-	-	-	-	305	460	610
H (OPEN)	inch	18.31	20.94	21.85	26.97	31.30	35.83	45.08	49.92
	mm	465	532	555	685	795	910	1145	1268
H1 (GEAR)	inch	-	-	-	-	-	45.47	46.26	52.36
	mm	-	-	-	-	-	1155	1175	1330
A	inch	-	-	-	-	-	9.45	10.24	12.60
	mm	-	-	-	-	-	240	260	320
WT (RF)	lb	91.11	126.67	160.00	284.44	444.44	591.11	931.11	1675.56
	kg	41	57	72	128	200	266	419	754
WT (BW)	lb	75.56	104.44	128.89	220.00	344.44	464.44	746.67	1368.89
	kg	34	47	58	99	155	209	336	616
WT (RF & GO)	lb	-	-	-	-	-	640.00	997.78	1786.67
	kg	-	-	-	-	-	288	449	804
WT (BW & GO)	lb	-	-	-	-	-	513.33	813.33	1480.00
	kg	-	-	-	-	-	231	366	666
CV Factors		-	390	561	1235	-	3406	6761	10565