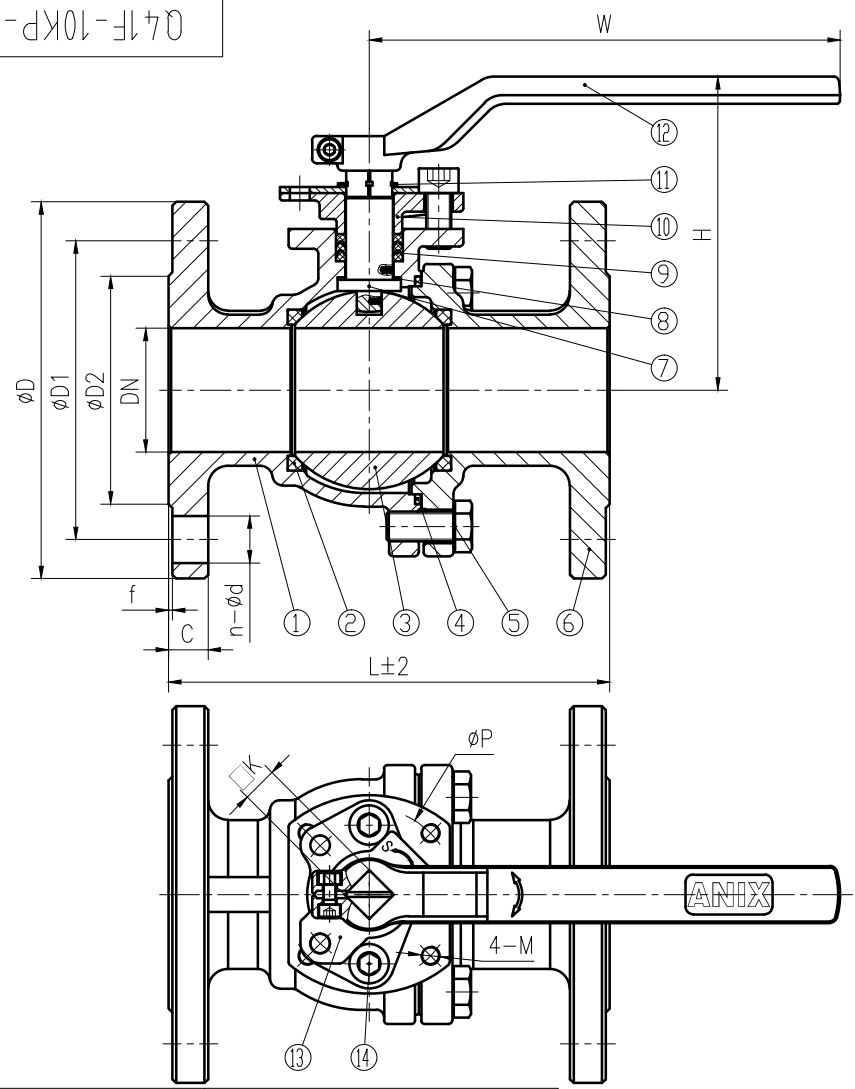


Q41F-10KP-00



SIZE	L	D	D1	D2	C	f	n-ød	W	H	K	P	M	
½"	DN15	108	95	70	52	12	1	4-ø15	130	81	9	42	M5
¾"	DN20	117	100	75	58	14	1	4-ø15	130	84	9	42	M5
1"	DN25	127	125	90	70	14	1	4-ø19	160	91	11	50	M6
1¼"	DN32	140	135	100	80	16	2	4-ø19	160	95	11	50	M6
1½"	DN40	165	140	105	85	16	2	4-ø19	200	118	14	70	M8
2"	DN50	178	155	120	100	16	2	4-ø19	200	126	14	70	M8
2½"	DN65	190	175	140	120	18	2	4-ø19	240	137	14	70	M8
3"	DN80	203	185	150	130	18	2	8-ø19	270	162	17	102	M10
4"	DN100	229	210	175	155	18	2	8-ø19	320	188	17	102	M10

14	GB/T 70.1-2000	HEXAGON HEAD BOLT		A193 B8			
13	Q41F-10KP-11	Stopper	1	SS304			
12	Q41F-10KP-10	Handle	1	Stainless Steel			
11	GB/T 894.1-1986	Snap Ring	1	SS304			
10	Q41F-10KP-09	Gland	1	A351 CF8			
9	Q41F-10KP-08	Packing		PTFE			
8	Q41F-10KP-07	Stem Washer	1	PTFE			
7	Q41F-10KP-06	Stem	1	A276 304			
6	Q41F-10KP-05	Bonnet	1	A351 CF8			
5	GB/T 5780-2000	Bolt		A193 B8			
4	Q41F-10KP-04	Gasket	1	PTFE			
3	Q41F-10KP-03	Ball	1	SS304			
2	Q41F-10KP-02	Seat	2	PTFE			
1	Q41F-10KP-01	Body	1	A351 CF8			

NOTE:  
 1.Face-to-face dimensions for valve according to JIS B2002.  
 2.End flange dimensions for valve according to JIS B2212.  
 3.Inspection and Test for valve according to JIS B2003.

CHECKED BY	Nominal pressure		10K						
PRINTED BY	Test pressure	Shell test	2.4	MPa	test medium	water	Test temperature	normal temperature	
		seal test							1.8
SIGNATURE		Gas seal test							
DATE	Applicable medium	water,oil,gas							
	Applicable temperature	-29~150°C							

No.	STANDARD	NAME	Q'TY	MATERIAL	UNIT WEIGHT	TOTAL WEIGHT	REMARKS
GENERAL DRAWING							ZHEJIANG ANIX VALVE CO.,LTD.
Flange Ball Valve							Q41F-10KP-00
MARK QTY.	FILE NO.	SIGNATURE	DATE	DRAW MARK	WEIGHT	SCALE	
DESIGN		STANDARD				1:1	
PROOF							
EXAMINE		APPROVE					
TECHNOLOGY		DATE		TOTAL:	PAGES	NO.:	PAGE