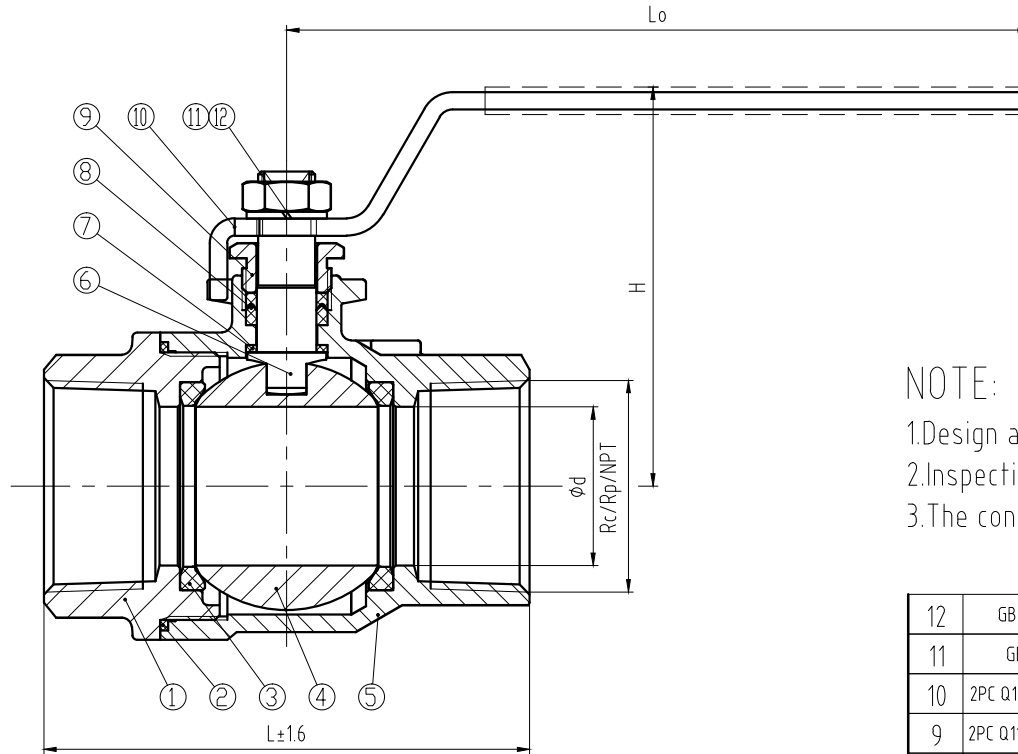


2PC Q11F-1000(R)-2A-00



Nominal pressure		1000Psi				
Test pressure	Shell test	10.4	Mpa	Test medium	Test temperature	Normal temperature
	Seal test	7.6				
	Gas seal test	0.6		Air		
Applicable medium		Water, Oil, Gas				
Applicable temperature		-29~180°C				

NOTE:

- 1.Design and Manufacture for valve according to ASME B16.34.
- 2.Inspection and Test for valve according to API 598.
- 3.The connection of screwed for valve according to ISO 7/1 or ANSI B1.20.1.

12	GB/T 6172-2000	NUT	1	A2-70/304		
11	GB/T 93-1987	SPRING WASHER	1	304		
10	2PC Q11F-1000(R)-2A-10	HANDLE	1	STAINLESS		
9	2PC Q11F-1000(R)-2A-09	GLAND	1	304		
8	2PC Q11F-1000(R)-2A-08	PACKING	1	PTFE		
7	2PC Q11F-1000(R)-2A-07	STEM WASHER	1	PTFE		
6	2PC Q11F-1000(R)-2A-06	STEM	1	A276 316		
5	2PC Q11F-1000(R)-2A-05	BODY	1	A351 CF8M		
4	2PC Q11F-1000(R)-2A-04	BALL	1	SS316		
3	2PC Q11F-1000(R)-2A-03	SEAT	2	PTFE		
2	2PC Q11F-1000(R)-2A-02	GASKET	1	PTFE		
1	2PC Q11F-1000(R)-2A-01	BONNET	1	A351 CF8M		

	L	d	Rc/Rp/NPT	Lo	H
DN8	55	10	1/4	95	47
DN10	60	10	3/8	95	47
DN15	63	15	1/2	105	54
DN20	73	19.5	3/4	120	65.5
DN25	84	25	1	140	72
DN32	98	32	1¼	150	81
DN40	105.5	38	1½	170	96
DN50	120.5	49	2	185	105
DN65	152	64	2½	220	118
DN80	170.5	77	3	270	134.5
DN100	204	99	4	330	167

CHECKED BY  
PRINTED BY  
BASED DRAWING NO.  
OLD DRAWING NO.  
SIGNATURE  
DATE

No.	STANDARD	NAME	Q'TY	MATERIAL	UNIT	TOTAL WEIGHT	REMARKS
GENERAL DRAWING					ANIX VALVE CO.,LTD		
					2PC SCREWED END BALL VALVE		
					2PC Q11F-1000(R)-2A-00		
MARK QTY.	FILE NO.	SIGNATURE	DATE	DRAW MARK	WEIGHT	SCALE	
DESIGN		STANDARD				1:1	
PROOF							
EXAMINE		APPROVE					
TECHNOLOGY		DATE		TOTAL:	PAGES	NO.:	PAGE