

技术性能规范 Technical Specification

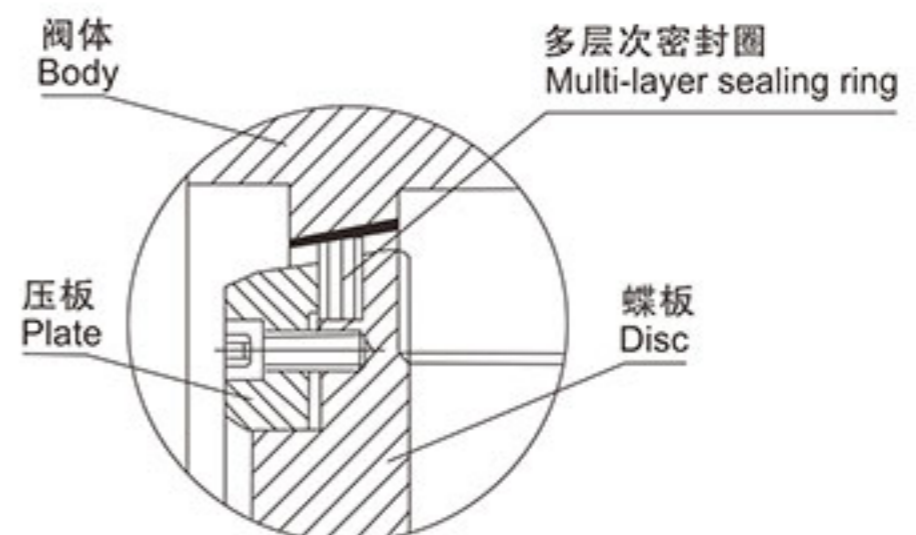
设计标准 Design & Manufacture Standard		GB/T 12238	API 609	
结构长度标准 Face-to-face Dimension Standard		GB/T 12221	ASME B16.10	
法兰标准 Flange Standard		GB/T 20592	ASME B16.5, JIS B2220	
检验与试验标准 Inspection and Test Standard		GB/T 13927, JB/T 9092	API 598	
公称压力 Nominal Pressure		1.0MPa	1.6MPa	Class 150
试验压力 Test Pressure	壳体试压 Shell Test	1.5MPa	2.4MPa	3.0MPa
	高压密封 High Pressure Sealing	1.1MPa	1.76MPa	2.2MPa
	低压密封 Low Pressure Sealing	0.6MPa	0.6MPa	0.6MPa
适用温度 Temperature Range		-29°C~425°C		
适用介质 Applicable Medium		水、蒸汽、油品、硝酸、醋酸、氨汽、液氨 Water, steam, oil, nitric acid, acetic acid, ammonia gas and ammonia		

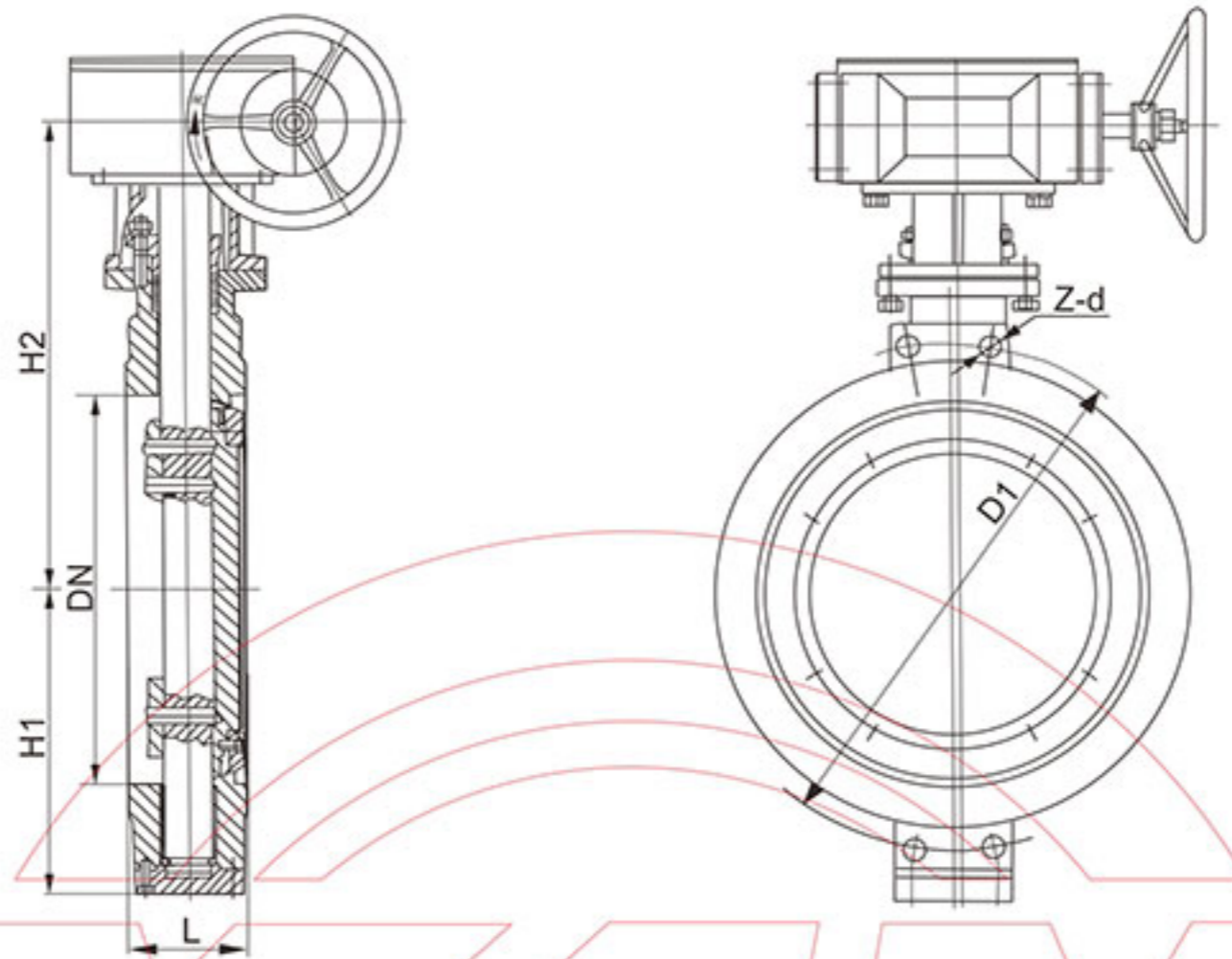
阀门主要零件材料 Material Specification

名称 Name	阀门材料 Materials		
	碳钢 Carbon Steel(C)	不锈钢 Stainless Steel(P)	不锈钢 Stainless Steel(R)
阀体 Body	铸钢 WCB	CF8	CF8M
蝶板 Disc	铸钢 WCB	CF8	CF8M
密封圈 Sealing ring	SS304		
阀座 Seat	SS304/本体堆焊合金		
阀杆 Stem	2Cr13	CF8	CF8M
填料 Packing	柔性石墨 flexible graphite		

特殊的密封系统结构 Structure Features

- 阀体中心线与阀杆轴线相对偏心。
 - 蝶板平面与阀杆相对偏心, 蝶板相对阀体斜置。
 - 圆锥形密封基面中心线相对于阀门中心线偏转一个角度。
 - 三偏心的技术特点是使蝶板在关闭过程中, 密封圈与阀座接触时, 密封圈在360度圆形密封面上密封正压力均相等, 在阀座与密封圈不变形的情况下, 即可获得理想的密封效果。达到金属对金属的密封。
- Valve body center line and stem line are relatively eccentric
- Disc plant and stem are relatively eccentric, disc is relatively oblique
- Cone sealing face center line forms an angle with valve center line.
- The technical characteristic for three-eccentric is during the closing process of disc. The sealing ring contacts the seat, and the positive pressure is equal in sealing ring. Under the situation of no deformation for seat and sealing ring, it can achieve the ideal sealing effect.





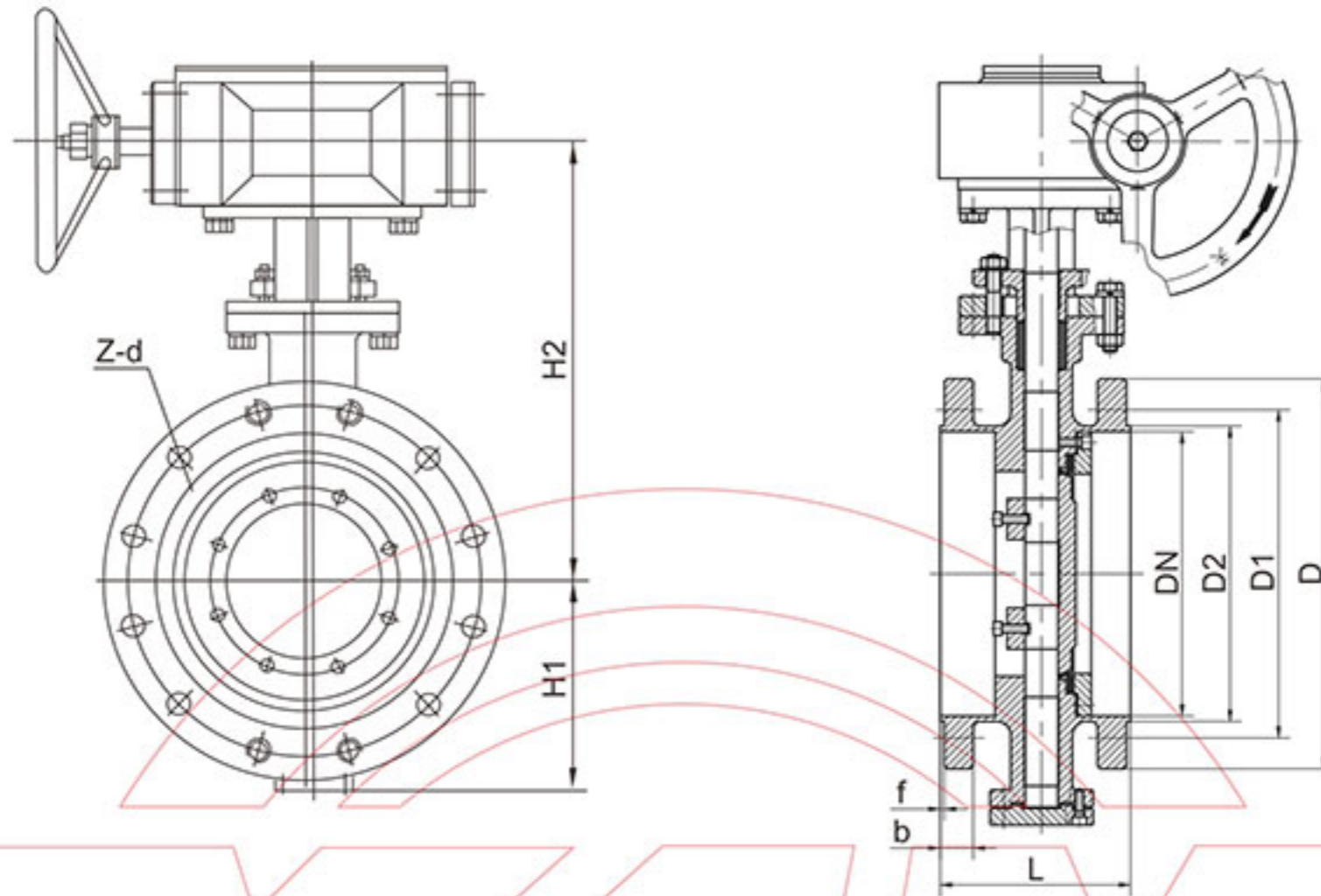
YFM-D373H

HG/T 20592

单位Unit:mm

DN	L	H1	H2	1.0MPa		1.6MPa		2.5MPa		4.0MPa	
				D1	Z-d	D1	Z-d	D1	Z-d	D1	Z-d
50	43	80	260	125	4-18	125	4-18	125	4-18	125	4-18
65	46	90	270	145	4-18	145	4-18	145	8-18	145	8-18
80	64	97	275	160	8-18	160	8-18	160	8-18	160	8-18
100	64	110	330	180	8-18	180	4-18	190	4-22	190	4-22
125	70	120	345	210	8-18	210	4-18	220	4-26	220	4-26
150	76	160	370	240	8-23	240	4-22	250	4-26	250	4-26
200	89	215	410	295	4-20	295	4-20	310	4-24	320	4-30
250	114	260	430	350	4-20	355	4-24	370	4-27	385	4-33
300	114	300	500	400	4-20	410	4-24	430	4-27	450	4-33
350	127	320	510	460	4-20	470	4-24	490	4-30	510	4-36
400	140	330	520	515	4-22	525	4-27	550	4-33	585	4-39
450	152	380	590	565	4-22	585	4-27	600	4-33	610	4-39
500	152	390	610	620	4-22	650	4-30	660	4-33	670	4-42
600	154	450	665	725	4-27	770	4-33	770	4-36	795	4-48
700	165	480	730	840	4-27	840	4-33	875	4-39	-	-
800	190	580	910	950	4-30	950	4-36	990	4-45	-	-
900	203	625	930	1050	4-30	1050	4-36	1090	4-45	-	-
1000	216	660	1000	1160	4-30	1170	4-39	1210	4-52	-	-
1200	254	780	1100	1380	4-36	1390	4-45	1420	4-52	-	-
1400	297	880	1220	1590	4-39	1590	4-45	1640	4-56	-	-
1600	318	990	1330	1820	4-45	1820	4-52	1860	4-56	-	-
1800	356	1090	1430	2020	4-45	2020	4-52	2070	4-64	-	-
2000	406	1200	1540	2230	4-45	2230	4-56	2300	4-64	-	-

注：可根据ANSI、JIS、DIN标准及非标尺寸生产。



YFM-D343H

HG/T 20592

单位Unit:mm

DN	L	H1	H2	1.0MPa				1.6MPa				2.5MPa			
				D	D1	D2	Z-d	D	D1	D2	Z-d	D	D1	D2	Z-d
50	108	80	260	160	125	100	4-18	165	125	99	4-18	165	125	99	4-18
65	112	90	270	180	145	120	4-18	185	145	118	4-18	185	145	118	8-18
80	114	97	275	195	160	135	8-18	200	160	132	8-18	200	160	132	8-18
100	127	107	285	215	180	155	8-18	220	180	156	8-18	235	190	156	8-22
125	140	123	300	245	210	185	8-18	250	210	184	8-18	270	220	184	8-26
150	140	140	320	280	240	210	8-23	285	240	211	8-22	300	250	211	8-26
200	152	180	370	335	295	265	8-23	340	295	266	12-22	360	310	274	12-26
250	165	200	420	390	350	320	12-23	405	355	319	12-26	425	370	330	12-30
300	178	250	500	440	400	368	12-23	460	410	370	12-26	485	430	389	16-30
350	190	270	530	500	460	428	16-23	520	470	429	16-26	555	490	448	16-33
400	216	300	570	565	515	482	16-25	580	525	480	16-30	620	550	503	16-36
450	222	320	600	615	565	532	20-25	640	585	548	20-30	670	600	548	20-36
500	229	360	680	670	620	585	20-25	715	650	609	20-33	730	660	609	26-36
600	267	420	750	780	725	685	20-30	840	770	720	20-36	845	770	720	20-42
700	292	480	810	895	840	800	24-30	910	840	794	24-36	960	875	820	24-42
800	318	540	905	1010	950	905	24-33	1025	950	901	24-39	1085	990	928	24-48
900	330	590	960	1110	1050	1005	28-33	1125	1050	1001	28-39	1185	1090	1028	28-48
1000	410	640	1010	1220	1160	1115	28-34	1125	1170	1112	28-42	1320	1210	1140	28-56
1200	470	750	1175	1450	1380	1325	32-39	1485	1390	1328	32-48	1530	1420	1350	32-56
1400	530	860	1310	1675	1590	1525	36-42	1685	1590	1530	36-48	1755	1640	1560	36-62
1600	600	980	1460	1915	1820	1750	40-48	1930	1820	1750	40-56	1975	1860	1780	40-62
1800	670	1090	1560	2115	2020	1950	44-48	2130	2020	1950	44-56	2195	2070	1985	44-70
2000	760	1190	1670	2325	2230	2160	48-48	2345	2230	2150	48-62	2425	2300	2210	48-70

Note: It can be manufactured on ANSI, JIS, DIN or non-standard dimension