

衬氟止回阀 Lined Check Valve

材料明细表 Material Specification

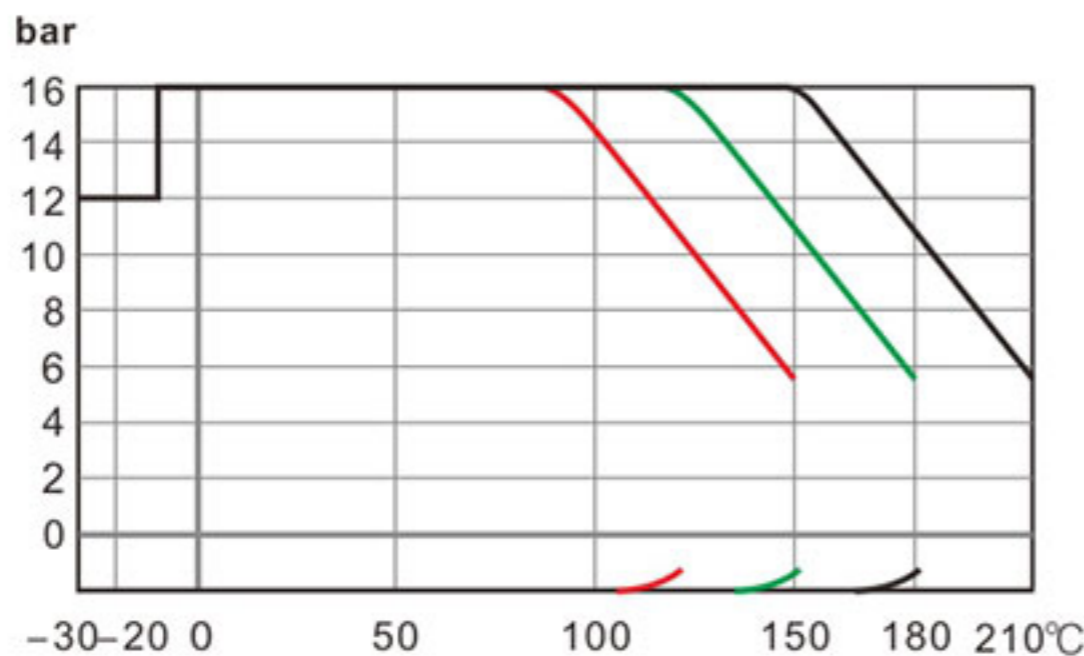
| 公称通径 Nominal Diameter | | DN15-DN400, 1/2"~16" | | |
|-----------------------|--------------------------------|------------------------------|-------------------------------------|-------------------------------------|
| 公称压力 Nominal Pressure | | 1.0MPa 1.6MPa 150LB | | |
| No. | 名称 Name | 材料明细 Material Lists | | |
| 1 | 阀体、阀瓣、阀盖 Body, disc, bonnet | WCB+ 衬里材质 Lining material | CF8 / CF8M+ 衬里材质 Lining material | CF3 / CF3M+ 衬里材质 Lining material |
| 2 | 球 Ball | PTFE | | |
| 3 | 衬里材质 Lining material | PFA, PTFE, FEP, GXPO | | |
| 4 | 螺栓 Bolt | A193 B7 | A193 B8 | A193 B8M |

技术性能规范 Technical Specification

| | | | |
|---|---|--------|-----------------------|
| 设计标准 Design & Manufacture Standard | HG/T 3704, GB/T 12235 | | API 6D |
| 结构长度标准 Face-to-face Dimension Standard | HG/T 3704, GB/T 12221 | | ASME B16.10 |
| 法兰标准 Flange Standard | HG/T 20592, GB/T 9119 | | ASME B16.5, JIS B2220 |
| 检验与试验标准 Inspection and Test Standard | GB/T 13927, JB/T 9092 | | API 598 |
| 公称通径 Nominal Diameter | DN15~DN400 | | 1/2"~16" |
| 公称压力(MPa) Nominal Pressure(MPa) | 1.0MPa | 1.6MPa | 150LB |
| 试验压力 Test Pressure | 壳体试压 Shell Test | 1.5MPa | 1.5MPa |
| | 高压密封 High Pressure Sealing | 1.1MPa | 1.1MPa |
| | 低压密封 Low Pressure Sealing | 0.6MPa | 0.6MPa |
| 适用温度 Temperature Range | PFA: -29°C~200°C PTFE: -29°C~180°C FEP: -29°C~150°C GXPO: -10°C~80°C | | |
| 适用介质 Applicable Medium | 盐酸、硝酸、氢氟酸、液氯、硫酸、王水等强腐蚀性介质 Strong corrosive medium i.e. hydrochloric acid, Nitric acid, Hydrofluoric acid, Liquid chlorine, Sulfuric Acid and Aqua regia etc. | | |

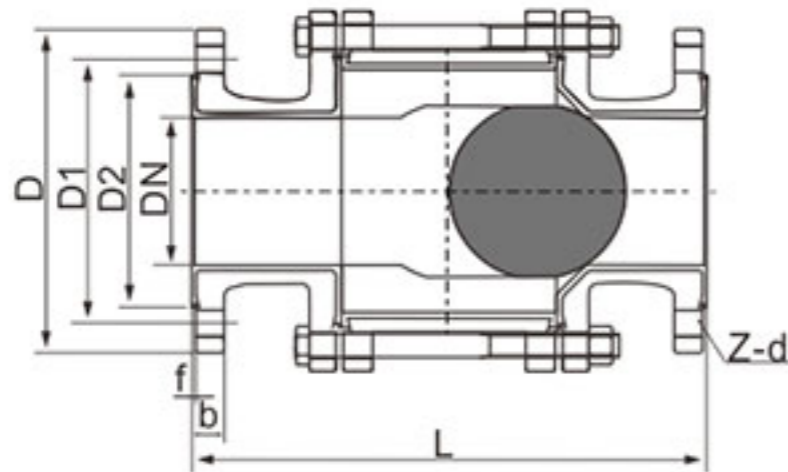
特注：衬氟阀门壳体试压和密封按照上表测试，测试标准仅参考通用阀门标准，高压力要求情况订制加工。
Note: Test standard refers general valve standard, high pressure should be customized for processing.

氟塑料压力温度曲线 Pressure-Temperature Curve

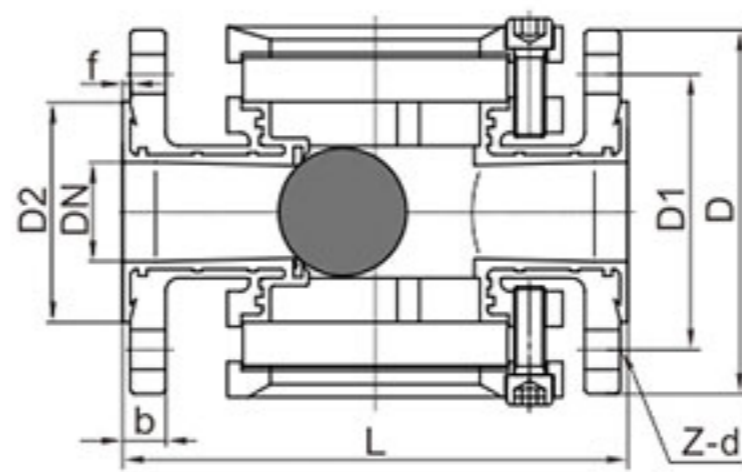


真空 Vacuum: 0.1mbar

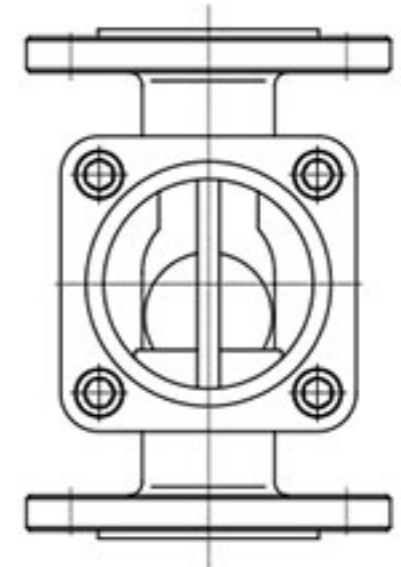
备注 Note: — PFA — PTFE — FEP



YFM-H40PFA/F4/F46/GXPO



YFM-SH40PFA/F4/F46/GXPO



HG/T 20592 PN10

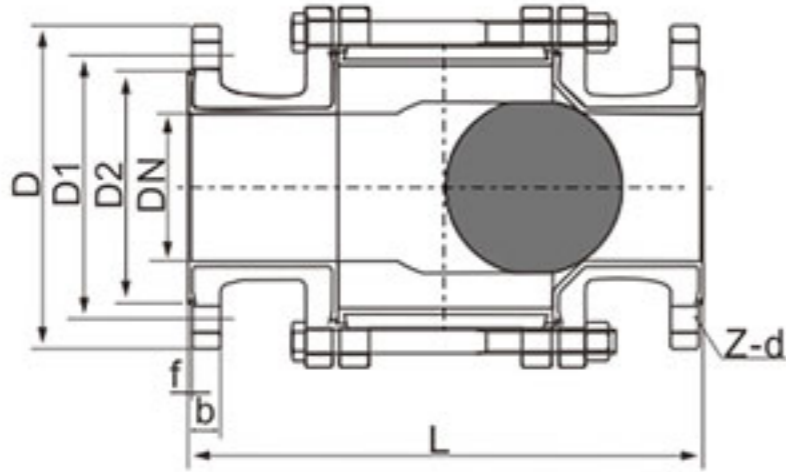
单位Unit:mm

| DN | L | D | D1 | D2 | Z-d | f | b |
|-----|-----|-----|-----|-----|------|---|----|
| 15 | 130 | 95 | 65 | 45 | 4-14 | 3 | 15 |
| 20 | 150 | 105 | 75 | 55 | 4-14 | 3 | 15 |
| 25 | 160 | 115 | 85 | 65 | 4-14 | 3 | 15 |
| 32 | 180 | 140 | 100 | 78 | 4-18 | 3 | 16 |
| 40 | 200 | 150 | 110 | 85 | 4-18 | 3 | 16 |
| 50 | 230 | 165 | 125 | 100 | 4-18 | 3 | 18 |
| 65 | 290 | 185 | 145 | 120 | 4-18 | 3 | 19 |
| 80 | 310 | 200 | 160 | 135 | 8-18 | 3 | 21 |
| 100 | 350 | 220 | 180 | 155 | 8-18 | 3 | 21 |
| 125 | 400 | 250 | 210 | 185 | 8-18 | 4 | 23 |
| 150 | 480 | 285 | 240 | 210 | 8-22 | 4 | 25 |

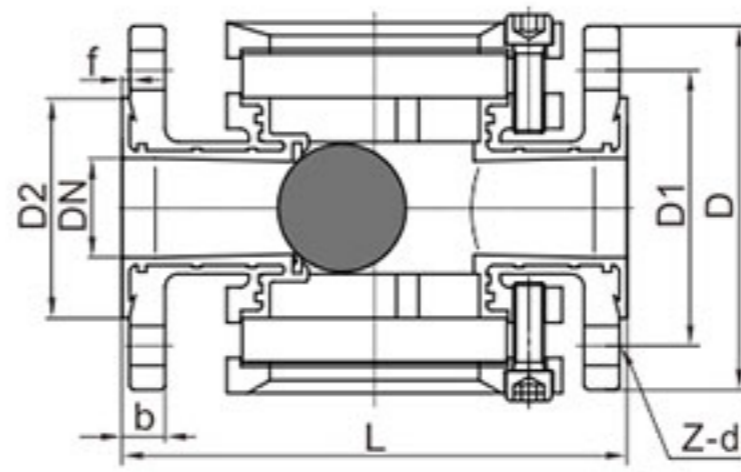
HG/T 20592 PN16

| | | | | | | | |
|-----|-----|-----|-----|-----|------|---|----|
| 15 | 130 | 95 | 65 | 45 | 4-14 | 3 | 15 |
| 20 | 150 | 105 | 75 | 55 | 4-14 | 3 | 15 |
| 25 | 160 | 115 | 85 | 65 | 4-14 | 3 | 15 |
| 32 | 180 | 140 | 100 | 78 | 4-18 | 3 | 16 |
| 40 | 200 | 150 | 110 | 85 | 4-18 | 3 | 16 |
| 50 | 230 | 165 | 125 | 100 | 4-18 | 3 | 18 |
| 65 | 290 | 185 | 145 | 120 | 4-18 | 3 | 19 |
| 80 | 310 | 200 | 160 | 135 | 8-18 | 3 | 21 |
| 100 | 350 | 220 | 180 | 155 | 8-18 | 3 | 21 |
| 125 | 400 | 250 | 210 | 185 | 8-18 | 4 | 23 |
| 150 | 480 | 285 | 240 | 210 | 8-22 | 4 | 25 |

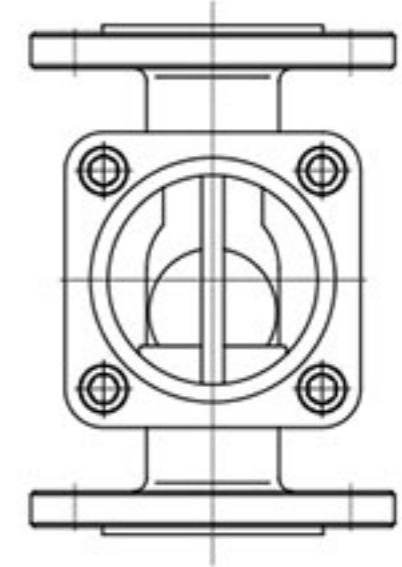
注：更多尺寸，请联系有氟密工程师。



YFM-H40PFA/F4/F46/GXPO



YFM-SH40PFA/F4/F46/GXPO



HG/T 20592 PN25

单位Unit:mm

| DN | L | D | D1 | D2 | Z-d | f | b |
|-----|-----|-----|-----|-----|------|---|----|
| 15 | 130 | 95 | 65 | 45 | 4-14 | 3 | 15 |
| 20 | 150 | 105 | 75 | 55 | 4-14 | 3 | 15 |
| 25 | 160 | 115 | 85 | 65 | 4-14 | 3 | 15 |
| 32 | 180 | 140 | 100 | 78 | 4-18 | 3 | 16 |
| 40 | 200 | 150 | 110 | 85 | 4-18 | 3 | 16 |
| 50 | 230 | 165 | 125 | 100 | 4-18 | 3 | 18 |
| 65 | 290 | 185 | 145 | 120 | 8-18 | 3 | 19 |
| 80 | 310 | 200 | 160 | 135 | 8-18 | 3 | 21 |
| 100 | 350 | 235 | 190 | 160 | 8-22 | 3 | 21 |
| 125 | 400 | 270 | 220 | 188 | 8-26 | 4 | 23 |
| 150 | 480 | 300 | 250 | 218 | 8-26 | 4 | 25 |

ASME B16.5 Class150

| | | | | | | | |
|-------|-----|-----|-------|-----|------|---|----|
| 1/2 | 130 | 90 | 60.5 | 35 | 4-16 | 3 | 13 |
| 3/4 | 150 | 100 | 70.0 | 43 | 4-16 | 3 | 14 |
| 1 | 160 | 110 | 79.5 | 51 | 4-16 | 3 | 16 |
| 1 1/4 | 180 | 115 | 89.0 | 64 | 4-16 | 2 | 17 |
| 1 1/2 | 200 | 125 | 98.5 | 73 | 4-16 | 2 | 19 |
| 2 | 230 | 152 | 120.5 | 92 | 4-19 | 2 | 21 |
| 2 1/2 | 290 | 180 | 139.5 | 105 | 4-19 | 2 | 24 |
| 3 | 310 | 190 | 152.5 | 127 | 4-19 | 2 | 26 |
| 4 | 350 | 230 | 190.5 | 157 | 8-19 | 2 | 27 |
| 5 | 400 | 255 | 216.0 | 186 | 8-23 | 4 | 27 |
| 6 | 480 | 280 | 241.5 | 216 | 8-23 | 4 | 28 |

Note: For more size, please consult our engineer.