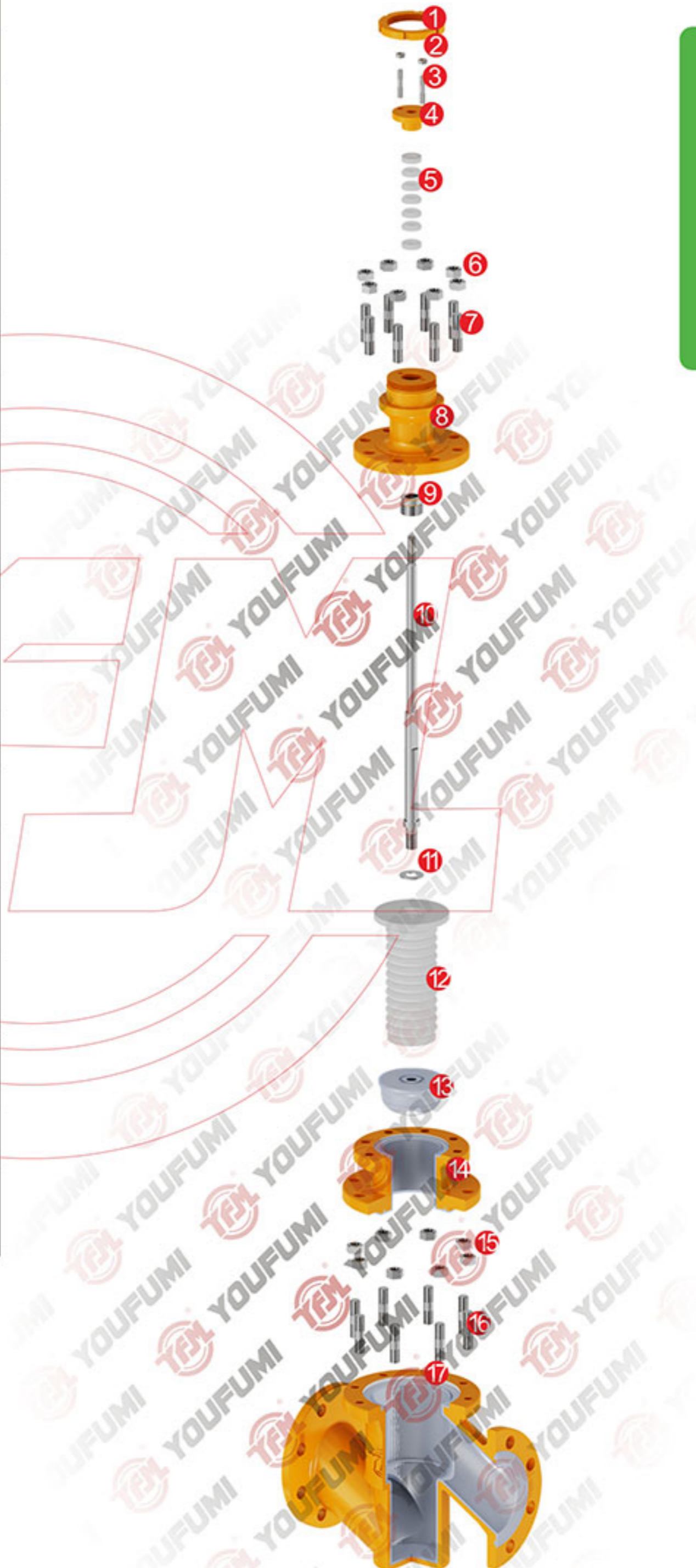


衬氟调节阀 Lined Control Valve

衬氟国标隔膜阀 GB Lined Diaphragm Valve

公称通径 Nominal Diameter		DN25-DN200 1"~8"		
公称压力 Nominal Pressure		1.0MPa 1.6MPa 150LB		
NO.	名称 Name	材料明细 Material Lists		
1	圆螺母 Round nut	A194 2H	A194 8	A194 8M
2	螺母 Nut	A194 2H	A194 8	A194 8M
3	螺柱 Bolt	A193 B7	A193 B8	A193 B8M
4	压板 Plate	SS304		
5	填料 Packing	PTFE		
6	螺母 Nut	A194 2H	A194 8	A194 8M
7	双头螺柱 Stud	A193 B7	A193 B8	A193 B8M
8	上盖 Up bonnet	WCB+ 衬里材料 Lining material	CF8/CF8M+ 衬里材料 Lining material	CF3/CF3M+ 衬里材料 Lining material
9	定位套 Locating sleeve	SS304		
10	阀杆 Stem	SS304 SS316		
11	垫片 Gasket	SS304		
12	波纹管 Bellows	PTFE		
13	阀芯 Disc	SS304/SS316+ 衬里材料 Lining material		
14	管接 Joint	WCB+ 衬里材料 Lining material	CF8/CF8M+ 衬里材料 Lining material	CF3/CF3M+ 衬里材料 Lining material
15	螺母 Screw	A93 2H	A194 8	A194 8M
16	螺柱 Stud	A194 B7	A193 B8	A193 B8M
17	阀体 Body	WCB+ 衬里材料 Lining material	CF8/CF8M+ 衬里材料 Lining material	CF3/CF3M+ 衬里材料 Lining material



Control Valve 自控阀

## 气动衬氟调节阀主要参数 Technical Specification

公称通径 Nominal Diameter	25	32	40	50	65	80	100	125	150	200									
阀座直径 Seat diameter (mm)	20	25	25	32	32	40	40	50	50	65	65	80	80	100	100	110	125	150	175
额定Cv值 Rated Cv	5	10	10	16	16	24	24	44	44	68	68	125	125	165	165	195	330	360	460
额定行程 Rated travel	16mm		25mm				38mm				50mm		60mm						
实际压力 Actual pressure	最大1.0 MPa(1.6 MPa特制) Maxmum1.0 MPa (1.6 MPa customised)																		
公称压力 Nominal pressure	1.0MPa, 1.6MPa																		
工作温度 Working temperature	-29°C ~180°C																		
阀芯型式 Trim	单座柱塞式阀芯 Single seat plunger valve core																		
流量特性 Flow characteristic	直线、等百分比 Linear, equal percentage																		
可调范围 Adjustable range	50:1																		
配有ZJHA/B多弹簧薄膜执行机构 Equipped with ZJHA/B Multi-springs Diaphragm Pneumatic Actuators																			
型号 Model	ZJHA/B-22		ZJHA/B-23				ZJHA/B-34				ZJHA/B-45								
作用型式 Action mode	ZJHA型执行机构实现“气关”式动作；ZJHB型执行机构实现“气开”式动作； ZJHA type actuator refer to “air-to-close” action; ZJHB actuator refer to “air-to-open” action																		
供气压力 Pressure supply	按弹簧范围：0.02~0.10、0.04~0.20、0.08~0.24 MPa，分别为0.14、0.25、0.35 MPa According to the scope of spring: 0.02~0.10, 0.04~0.20, 0.08~0.24 Mpa, Respectly are 0.14, 0.25, 0.35 MPa																		
气源接头 Air supply connection	Rc1/4																		
基本误差 Basic error	不带定位器±5%；带定位器±1%； Without positioner:±5%; With positioner:±1%;																		
回差 Backlash	不带定位器3%；带定位器1%； Without positioner: 3%; With positioner: 1%;																		
死区 Dead zone	不带定位器3%；带定位器0.4%； Without positioner: 3%; With positioner: 0.4%;																		
终点误差 End point deviation	不带定位器：气开始点±2.5%、终点±5%；气关始点±5%、终点±2.5%；带定位器始终点误差为±1%； Without positioner: opening point±2.5%, terminal point±5%; closing point±5%, terminal point±2.5%. With positioner error from beginning to end is ±1%;																		
行程偏差 Travel deviation	±2.5%																		
泄漏量 Leakage rate	不超过阀门额定Cv值的10 <sup>-5</sup> No more than 10 <sup>-5</sup> of rated CV																		
选购附件 Optional accessories	定位器、空气过滤压器、电磁阀、限位开关等等(按订货要求配套提供) positioner, air set, solenoid valve, limit switch etc. (according to the order)																		

# 衬氟调节阀 Lined Control Valve

## 执行机构型号和基本参数 Actuator Technical Specification

气动多弹簧薄膜式执行机构允许压差 Pneumatic Multi-spring Diaphragm Actuator

作用型式 Action mode	执行机构 Actuator model	薄膜面积 Diahrpagn area (cm <sup>2</sup> )	供气压力 Supply pressure (MPa)	弹簧范围 Spring range (MPa)	允许压差 Allowable DP (100KPa)											
					阀座直径 Seat diameter (mm)											
					20	25	32	40	50	65	80	100	110	125	150	175
气关式 Air-to-close	ZJHA-22/23	350	0.14	0.02~0.10	12	7.6	6.3	4.0	2.6	-	-	-	-	-	-	-
			0.28	0.04~0.20	16	16	14	12	7.6	-	-	-	-	-	-	-
			0.35	0.08~0.24	16	16	16	16	12	-	-	-	-	-	-	-
	ZJHA-34	560	0.14	0.02~0.10	16	10	7.5	6.6	4.2	2.4	1.6	1.0	-	-	-	-
			0.28	0.04~0.20	-	-	16	12	9.8	5.6	3.8	2.9	-	-	-	-
			0.35	0.08~0.24	-	-	16	16	16	13	8.6	5.5	-	-	-	-
	ZJHA-45	900	0.14	0.02~0.10	-	-	-	-	-	5.4	3.6	2.3	1.7	1.1	0.7	0.2
			0.28	0.04~0.20	-	-	-	-	-	9.3	6.1	3.9	2.5	1.7	1.1	0.7
			0.35	0.08~0.24	-	-	-	-	-	14	9.8	8.2	5.2	3.7	2.5	1.6
	ZJHA-56	1500	0.14	0.02~0.10	-	-	-	-	-	5.6	4.0	2.6	1.7	1.1	0.7	-
			0.28	0.04~0.20	-	-	-	-	-	-	-	-	9.1	5.8	3.5	2.5
			0.35	0.08~0.24	-	-	-	-	-	-	-	-	11	8.8	5.7	3.5
气开式 Air-to-open	ZJHB-22/23	350	0.14	0.02~0.10	10	7.6	4.6	2.6	1.3	-	-	-	-	-	-	
			0.28	0.04~0.20	16	16	11	9.6	6.1	-	-	-	-	-	-	
			0.35	0.08~0.24	16	16	16	16	10	-	-	-	-	-	-	
	ZJHB-34	560	0.14	0.02~0.10	-	12	6.1	4.2	2.4	1.2	0.6	0.4	-	-	-	-
			0.28	0.04~0.20	-	-	16	12	8.2	5.6	3.8	2.4	-	-	-	-
			0.35	0.08~0.24	-	-	16	16	16	7.2	4.8	3.5	-	-	-	-
	ZJHB-45	900	0.14	0.02~0.10	-	-	-	-	-	2.4	1.6	1.1	0.7	0.4	0.2	0.1
			0.28	0.04~0.20	-	-	-	-	-	7.2	4.8	3.2	1.7	0.8	0.4	0.2
			0.35	0.08~0.24	-	-	-	-	-	9.8	8.2	5.2	3.7	2.5	1.7	0.7
	ZJHB-56	1500	0.14	0.02~0.10	-	-	-	-	-	4.0	2.6	1.7	1.1	0.7	0.2	-
			0.28	0.04~0.20	-	-	-	-	-	-	-	-	3.9	2.5	1.7	0.7
			0.35	0.08~0.24	-	-	-	-	-	-	-	-	8.4	5.4	3.7	1.6

## 电动执行机构允许压差 Electric Actuators

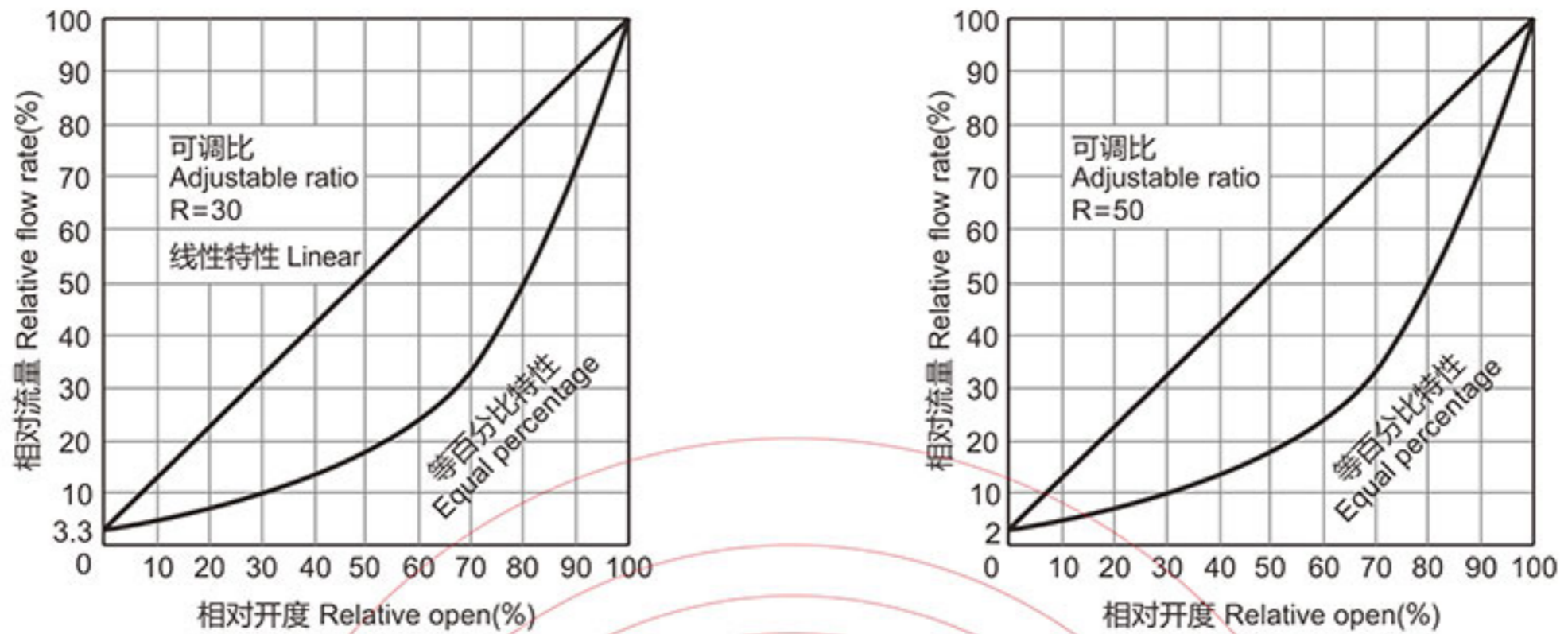
执行机构推力 Actuator thrust (N.M)	允许压差 Allowable DP (100KPa)											
	阀座直径 Seat diameter (mm)											
	20	25	32	40	50	65	80	100	110	125	150	175
800	16	16	6.9	4.5	-	-	-	-	-	-	-	-
1000	-	16	8.7	5.5	3.5	-	-	-	-	-	-	-
2000	-	-	16	11	7.1	4.2	-	-	-	-	-	-
3000	-	-	-	16	11	6.3	4.1	-	-	-	-	-
6500	-	-	-	-	-	13.7	9.0	5.7	-	-	-	-
9000	-	-	-	-	-	-	12.5	8.0	5.1	-	-	-
12000	-	-	-	-	-	-	-	11	6.8	4.7	-	-
16000	-	-	-	-	-	-	-	-	9.1	6.3	4.7	3.6

注：以上推荐使用压差等只是相对而言，有氟密公司针对各种压差会有多种配置组合，对于复杂的控制系统请您与我有氟密公司技术部门联系，我们有多年的过程控制产品生产的经验，为您提供更合理的执行机构配置。

Note: This table for reference only. For more specific differential pressure, please consult Youfumi technical department.

衬氟调节阀流量特性如图所示

Flow Characteristics Curve Of Lined Control Valve



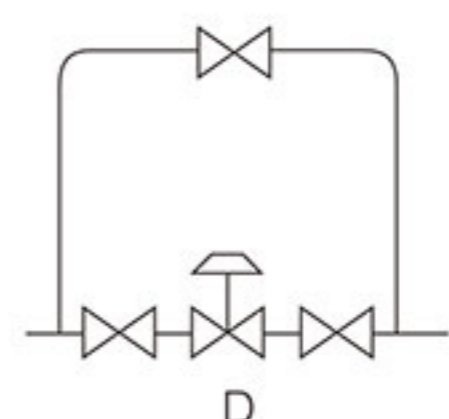
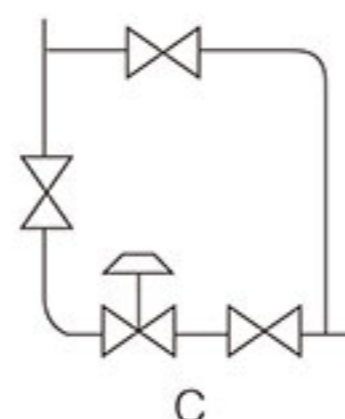
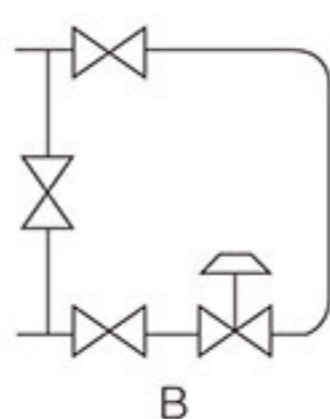
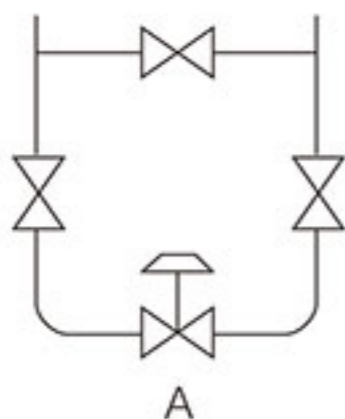
流量特性曲线 Flow rate Curve

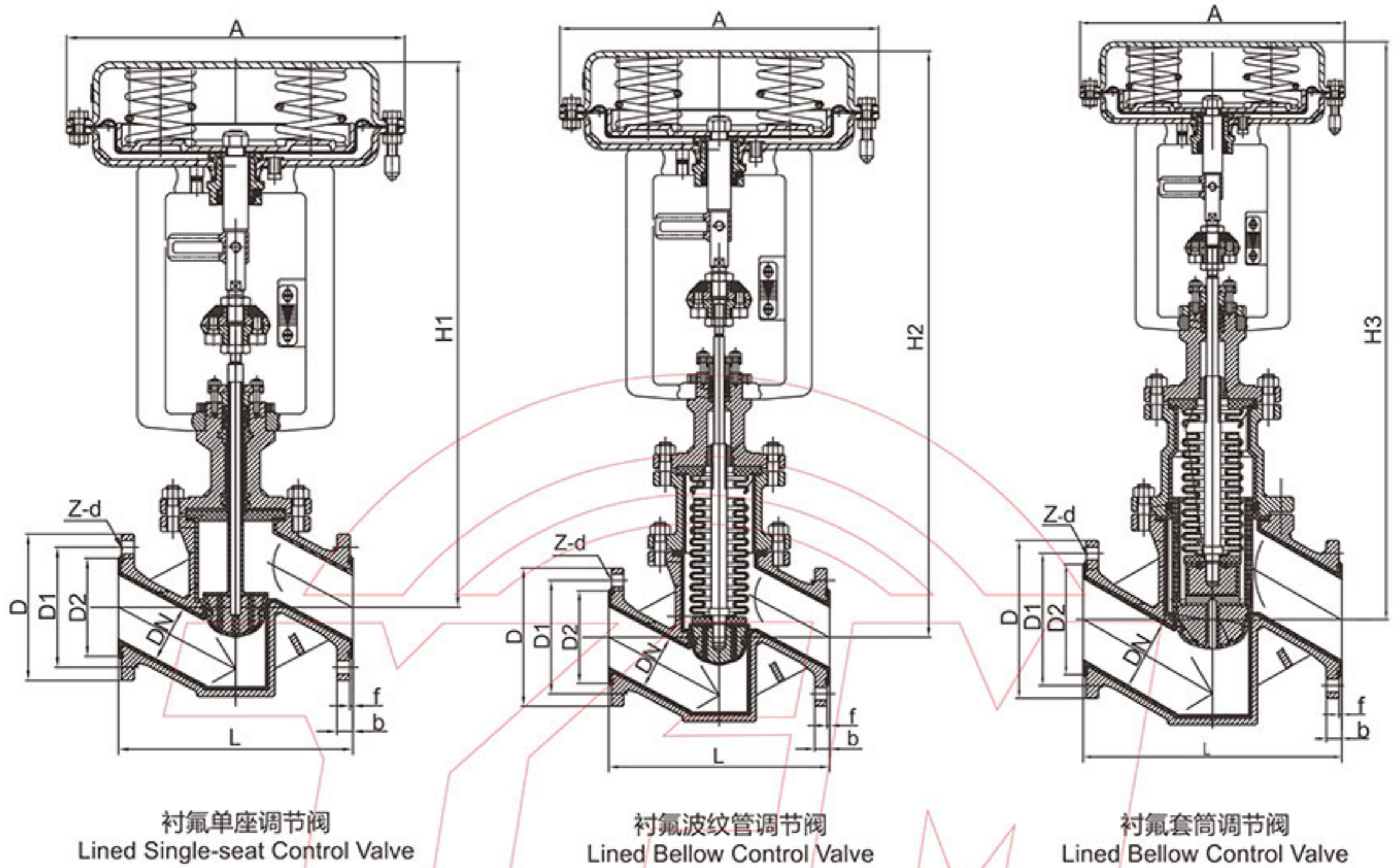
## 安装

- 检查整机零件是否缺损与松动, 阀门必须进行强度、密封、泄漏与精度测试;
- 在安装前, 对管道应进行清洗, 阀门入口处要有足够的直管段, 并配有过滤器, 阀体与管道的法兰连接应注意同轴度;
- 安装场地应考虑到人员设备的安全, 既便于操作, 又有利于拆装与维护;
- 阀门应正立安装, 不得已时可倾斜安装, 尽量避免水平安装, 阀自重较大或有振动的场合, 要用支撑架;
- 介质流动方向应与阀体上的箭头指向一致。气源应干燥、无油; 阀门应在环境温度-20~+55°C场所使用;
- 为使自控系统失灵或检修阀门时, 仍能连续生产, 应设置旁路阀。旁路阀的流量特性与行程要与原阀门选择一致。
- 调节阀填料密封是保护性的第二道密封, 一旦波纹管损坏, 决不能作为填料密封阀继续使用。应立即采取措施检修或更换波纹管, 经更换波纹管后的阀芯组件, 必须进行严格的气密封性检漏, 合格后方可使用。

## Installation

- Inspect the whole set of valve to see if damaged or loose connected, the valve should be conducted with sealing test, leakage test before installation.
- Cleaning the pipeline before installation. There should be enough space in pipeline at the valve entrance, where should be equipped with strainer. The flange connection of valve and pipeline should pay attention to concentricity.
- It should consider the safety of staff and equipment in installation site, where is easy for installation, disassembly and maintenance. The valve should be vertically installed, conducting slanting installation if no choice. Avoid horizontal installation. Use a support bracket if valve is heavy or vibration.
- The flow direction should conform to arrow on valve body. Air supply should be dry without oil; Valve should used under environmental temperature -20 to +55°C.
- Set the bypass valve to make sure continuous production when self-controls system failures or valve repaired. The flow characteristic and travel of bypass valve should conform to former choice.
- The packing of control valve is the second sealing for protection. Once the bellow broken, it cannot be used as packing to seal. It should immediately examine and repair or change the bellow, and then test the sealing.





衬氟单座调节阀  
Lined Single-seat Control Valve

衬氟波纹管调节阀  
Lined Bellows Control Valve

衬氟套筒调节阀  
Lined Bellows Control Valve

HG/T 20592 PN16

单位Unit:mm

DN	L	D	D1	D2	b	f	Z-d	螺纹 Thread	H1	H2	H3	A
20	160	105	75	56	15	2.5	4-14	-	440	480	-	285
25	160	115	85	65	16	3	4-14	-	440	480	-	285
32	180	135	100	78	16	3	4-18	-	466	490	-	285
40	200	150	110	85	16	3	4-18	-	495	525	-	285
50	230	165	125	100	16	3	4-18	-	495	525	-	285
65	290	180	145	120	18	3.5	4-18	-	615	710	-	360
80	310	200	160	135	20	3.5	8-18	2-M16	605	710	-	360
100	350	220	180	155	21	3.5	8-18	2-M16	630	710	770	360
125	400	250	210	185	23	4	8-18	2-M16	760	880	930	470
150	480	285	240	210	24	4	8-22	2-M20	775	890	960	470
200	600	340	295	265	26	4.5	12-22	2-M20	835	910	980	470

注: 1. 图示没有孔的位置为螺纹; Z-d为总的等分数, 实际孔数需要减去螺纹孔数;  
2. 更多尺寸, 请联系有氟密工程师。

Note: 1. No hole means the screw thread; Z-d is divided hole numbers, the actual hole number should minus the threaded hole;  
2. For more size, please consult our engineer.