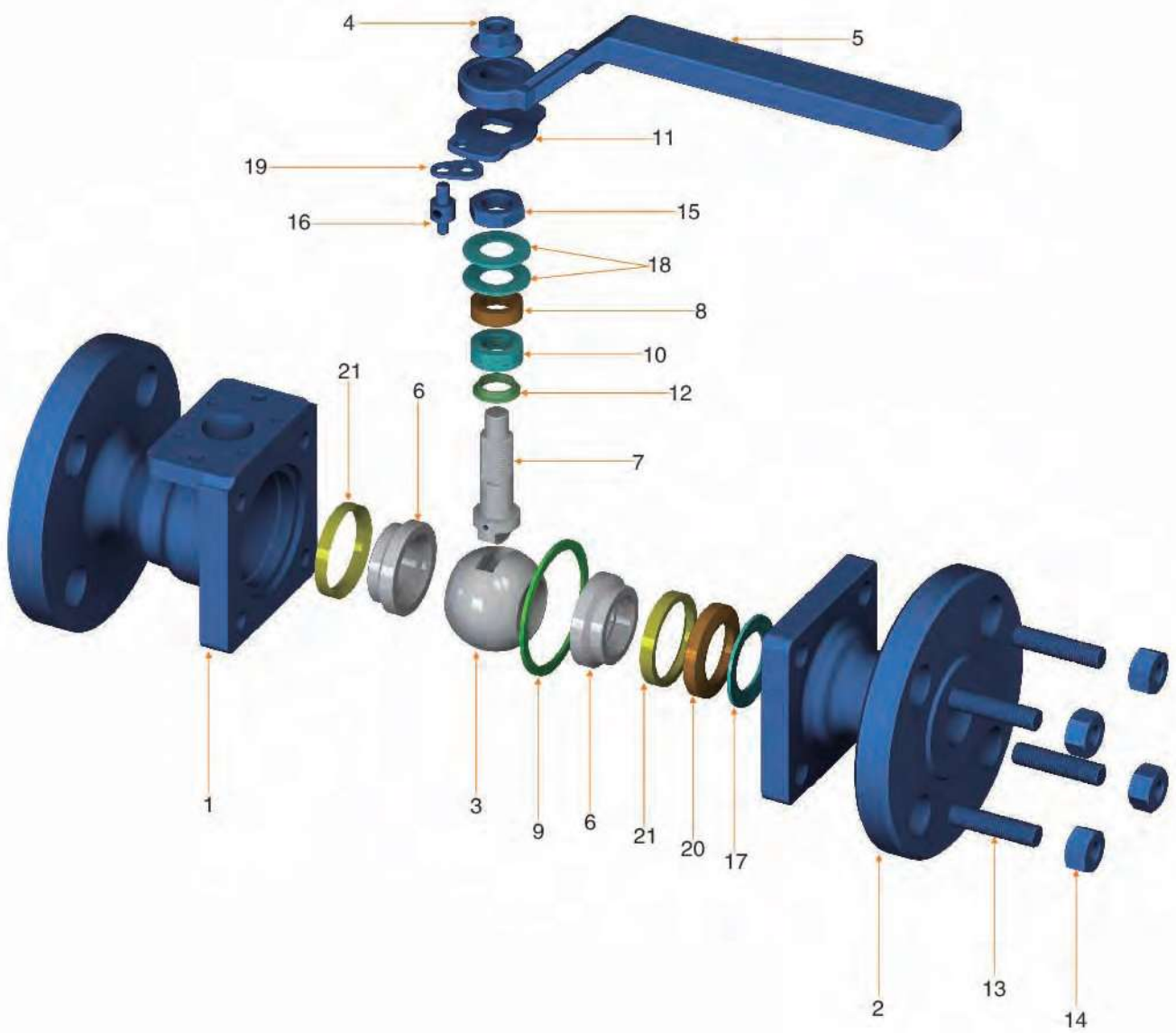


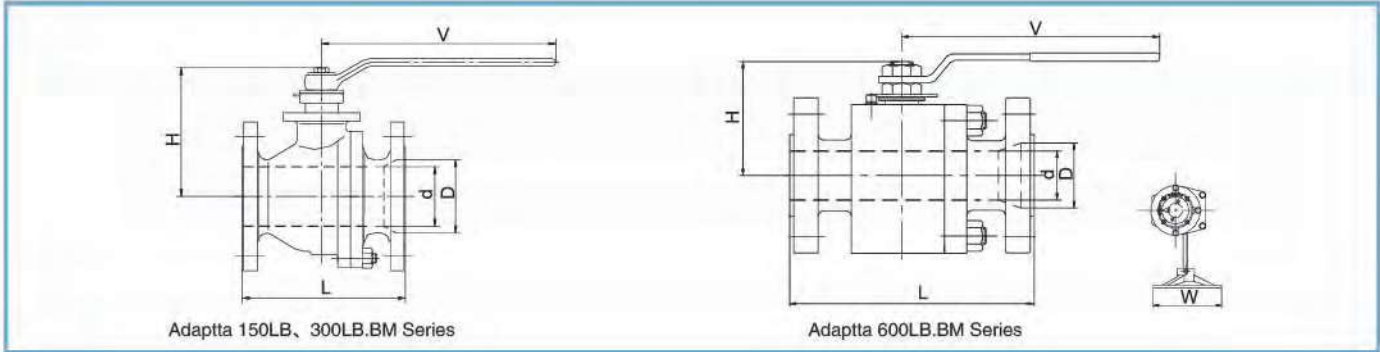
Metal-Seated Floating Ball Valve

Design Feature



- 1 Top flange design as per ISO 5211, optional actuators of gearbox, electric actuator and pneumatic actuator are available.
- 2 Hard faced ball and the seat to satisfy the requirement of high hardness, high temperature resistance, wear resistance.
- 3 With the help of the pre-loaded spring, the seat is able to maintain seal even in low operating pressure.
- 4 Several designs of the seat to choose from, among which the dust proof seat design is available.





150LB Full bore (Floating)

Size		D		L				H		W		V		Weight	
in	mm	in	mm	RF		BW		in	mm	in	mm	in	mm	lb	Kg
1/2	15	0.51	13	4.25	108	5.49	139.5	2.23	56.6			5.51	140	4.41	2
3/4	20	0.75	19	4.61	117	6.00	152.5	2.32	59			5.51	140	6.61	3
1	25	0.98	25	5.00	127	6.50	165	3.29	83.5			8.46	215	8.82	4
1-1/2	40	1.50	38	6.50	165	7.52	191	4.63	117.5			10.43	265	17.64	8
2	50	2.01	51	7.01	178	8.50	216	5.15	130.8			16.93	430	22.05	10
3	80	2.99	76	7.99	203	11.14	283	6.90	175.3			41.73	1060	35.27	16
4	100	4.02	102	9.02	229	12.01	305	7.65	194.3			41.73	1060	88.18	40

150LB Reduced bore (Floating)

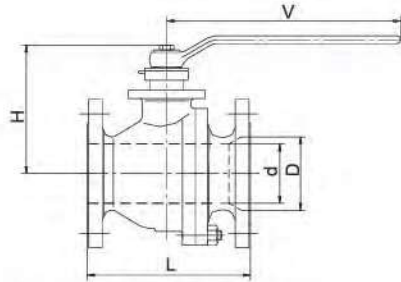
Size		D		d		L				H		W		V		Weight	
in	mm	in	mm	in	mm	RF		BW		in	mm	in	mm	in	mm	lb	Kg
1/2*3/8	15*10	0.51	13	0.28	7	4.25	108	5.49	139.5	1.93	49			5.51	140	3.31	1.5
3/4*1/2	20*15	0.75	19	0.51	13	4.61	117	6.00	152.5	2.23	56.6			5.51	140	4.41	2
1*3/4	25*20	0.98	25	0.75	19	5.00	127	6.50	165	2.32	59			5.51	140	6.61	3
1-1/2*1	40*25	1.50	38	0.98	25	6.50	165	7.52	191	3.29	83.5			8.46	215	15.43	7
2*1-1/2	50*40	2.01	51	1.50	38	7.01	178	8.50	216	4.63	117.5			10.43	265	17.64	8
3*2	80*50	2.99	76	2.01	51	7.99	203	11.14	283	5.15	130.8			10.43	265	30.86	14
4*3	100*80	4.02	102	2.99	76	9.02	229	12.01	305	6.90	175.3			16.93	430	79.37	36

300LB Full bore (Floating)

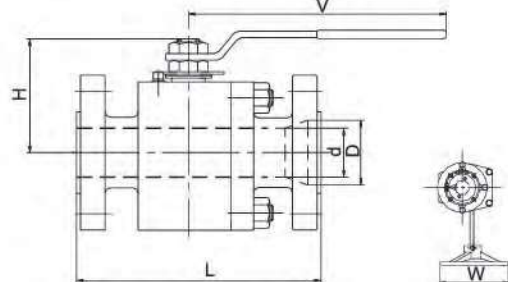
Size		D		L				H		W		V		Weight	
in	mm	in	mm	RF		BW		in	mm	in	mm	in	mm	lb	Kg
1/2	15	0.51	13	5.51	140	5.51	140	2.23	56.6			5.51	140	6.61	3
3/4	20	0.75	19	5.98	152	5.98	152	2.32	59			5.51	140	8.82	4
1	25	0.98	25	6.50	165	6.50	165	3.29	83.5			8.46	215	13.23	6
1-1/2	40	1.50	38	7.52	191	7.52	191	4.63	117.5			10.43	265	24.25	11
2	50	2.01	51	8.50	216	8.50	216	5.15	130.8			16.93	430	33.07	15
3	80	2.99	76	11.14	283	11.14	283	6.90	175.3			41.73	1060	103.62	47
4	100	4.02	102	12.01	305	12.01	305	10.04	255	11.81	300			149.91	68

Metal-Seated Floating Ball Valve

Dimension & Weight



Adapta 150LB, 300LB.BM Series



Adapta 600LB.BM Series

300LB Reduced bore (Floating)

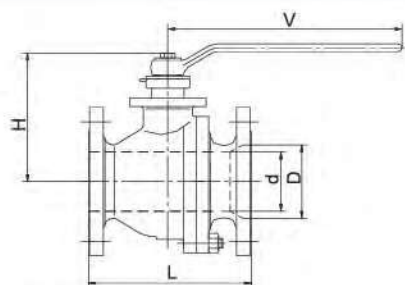
Size		D		d		L				H		W		V		Weight	
in	mm	in	mm	in	mm	RF		BW		in	mm	in	mm	in	mm	lb	Kg
1/2*3/8	15*10	0.51	13	0.28	7	5.51	140	5.51	140	2.14	54.3			5.51	140	4.41	2
3/4*1/2	20*15	0.75	19	0.51	13	5.98	152	5.98	152	2.23	56.6			5.51	140	6.61	3
1*3/4	25*20	0.98	25	0.75	19	6.50	165	6.50	165	2.32	59			5.51	140	8.82	4
1-1/2*1	40*25	1.50	38	0.98	25	7.52	191	7.52	191	3.29	83.5			8.46	215	19.84	9
2*1-1/2	50*40	2.01	51	1.50	38	8.50	216	8.50	216	4.63	117.5			10.43	265	28.66	13
3*2	80*50	2.99	76	2.01	51	11.14	283	11.14	283	5.15	130.8			16.93	430	99.21	45
4*3	100*80	4.02	102	2.99	76	12.01	305	12.01	305	6.90	175.3			41.73	1060	143.30	65

400LB Full bore (Floating)

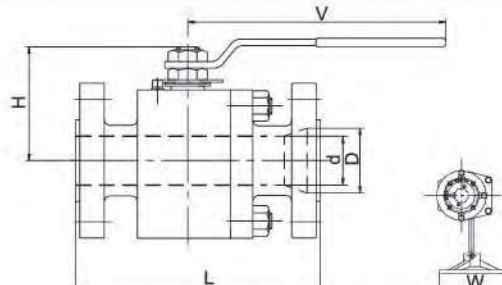
Size		D		L						H		W		V		Weight	
in	mm	in	mm	RF		BW		RTJ		in	mm	in	mm	in	mm	lb	Kg
1/2	15	0.51	13	6.50	165	6.50	165	6.46	164	3.86	98			5.91	150	8.82	4
3/4	20	0.75	19	7.52	191	7.52	191	7.52	191	4.53	115			7.09	180	13.23	6
1	25	0.98	25	8.50	216	8.50	216	8.50	216	4.74	120.5			10.43	265	24.25	11
1-1/2	40	1.50	38	9.49	241	9.49	241	9.49	241	6.26	159			11.81	300	55.11	25
2	50	2.01	51	11.50	292	11.50	292	11.61	295	11.34	288	11.81	300			110.23	50
3	80	2.99	76	14.02	356	14.02	356	14.13	359	11.89	302	15.75	400			121.25	55
4	100	4.02	102	15.98	406	15.98	406	16.14	410	12.60	320	23.62	600			414.46	188

400LB Reduced bore (Floating)

Size		D		d		L				H		W		V		Weight			
in	mm	in	mm	in	mm	RF		BW		RTJ		in	mm	in	mm	lb	Kg		
1/2*3/8	15*10	0.51	13	0.28	7	6.50	165	6.50	165	6.46	164	3.19	81			5.91	150	6.61	3
3/4*1/2	20*15	0.75	19	0.51	13	7.52	191	7.52	191	7.52	191	3.86	98			5.91	150	11.02	5
1*3/4	25*20	0.98	25	0.75	19	8.50	216	8.50	216	8.50	216	4.53	115			7.09	180	19.84	9
1-1/2*1	40*25	1.50	38	0.98	25	9.49	241	9.49	241	9.49	241	4.74	120.5			10.43	265	48.50	22
2*1-1/2	50*40	2.01	51	1.50	38	11.50	292	11.50	292	11.61	295	6.26	159			11.81	300	55.11	25
3*2	80*50	2.99	76	2.01	51	14.02	356	14.02	356	14.13	359	11.34	288	11.81	300			112.43	51
4*3	100*80	4.02	102	2.99	76	15.98	406	15.98	406	16.14	410	11.89	302	15.75	400			399.03	181



Adapta 150LB, 300LB.BM Series



Adapta 600LB.BM Series

600LB Full bore (Floating)

Size		D		L						H		W		V		Weight	
				RF		BW		RTJ									
in	mm	in	mm	in	mm	in	mm	in	mm	in	mm	in	mm	in	mm	lb	Kg
1/2	15	0.51	13	6.50	165	6.50	165	6.46	164	3.86	98			5.91	150	8.82	4
3/4	20	0.75	19	7.52	191	7.52	191	7.52	191	4.53	115			7.09	180	13.23	6
1	25	0.98	25	8.50	216	8.50	216	8.50	216	4.74	120.5			10.43	265	24.25	11
1-1/2	40	1.50	38	9.49	241	9.49	241	9.49	241	6.26	159			11.81	300	55.11	25
2	50	2.01	51	11.50	292	11.50	292	11.61	295	11.34	288	11.81	300			110.23	50
3	80	2.99	76	14.02	356	14.02	356	14.13	359	11.89	302	15.75	400			121.25	55
4	100	4.02	102	17.01	432	17.01	432	17.13	435	12.60	320	23.62	600			414.46	188

600LB Reduced bore (Floating)

Size		D		d		L						H		W		V		Weight	
						RF		BW		RTJ									
in	mm	in	mm	in	mm	in	mm	in	mm	in	mm	in	mm	in	mm	in	mm	lb	Kg
1/2*3/8	15*10	0.51	13	0.28	7	6.50	165	6.50	165	6.46	164	3.23	82			5.91	150	6.61	3
3/4*1/2	20*15	0.75	19	0.51	13	7.52	191	7.52	191	7.52	191	3.86	98			5.91	150	11.02	5
1*3/4	25*20	0.98	25	0.75	19	8.50	216	8.50	216	8.50	216	4.53	115			7.09	180	19.84	9
1-1/2*1	40*25	1.50	38	0.98	25	9.49	241	5.55	241	9.49	241	4.74	120.5			10.43	265	48.50	22
2*1-1/2	50*40	2.01	51	1.50	38	11.50	292	7.56	292	11.50	292	6.26	159			11.81	300	55.11	25
3*2	80*50	2.99	76	2.01	51	14.02	356	14.02	356	14.13	359	11.34	288	11.81	300			112.43	51
4*3	100*80	4.02	102	2.99	76	17.01	432	17.01	432	17.13	435	11.89	302	15.75	400			399.03	181

900LB Full bore (Floating)

Size		D		L						H		W		V		Weight	
				RF		BW		RTJ									
in	mm	in	mm	in	mm	in	mm	in	mm	in	mm	in	mm	in	mm	lb	Kg
1/2	15	0.51	13	8.50	216	8.50	216	8.50	216	4.41	112			7.09	180	22.05	10
3/4	20	0.75	19	9.02	229	9.02	229	9.02	229	4.75	120.5			10.43	265	28.66	13
1	25	0.98	25	10.00	254	10.00	254	10.00	254	6.24	158.5			11.81	300	33.07	15
1-1/2	40	1.50	38	12.01	305	12.01	305	12.01	305	7.48	190			15.75	400	105.82	48
2	50	2.01	51	14.49	368	14.49	368	14.61	371	11.42	290	15.75	400			158.73	72

900LB Reduced bore (Floating)

Size		D		d		L						H		W		V		Weight	
						RF		BW		RTJ									
in	mm	in	mm	in	mm	in	mm	in	mm	in	mm	in	mm	in	mm	in	mm	lb	Kg
1/2*3/8	15*10	0.51	13	0.28	7	8.50	216	8.50	216	8.50	216	4.17	106			6.50	165	17.64	8
3/4*1/2	20*15	0.75	19	0.51	13	9.02	229	9.02	229	9.02	229	4.41	112			7.09	180	19.84	9
1*3/4	25*20	0.98	25	0.75	19	10.00	254	10.00	254	10.00	254	4.74	120.5			10.43	265	26.46	12
1-1/2*1	40*25	1.50	38	0.98	25	12.01	305	12.01	305	12.01	305	6.24	158.5			11.81	300	30.86	14
2*1-1/2	50*40	2.01	51	1.50	38	14.49	368	14.49	368	14.61	371	7.49	190			15.75	400	99.21	45