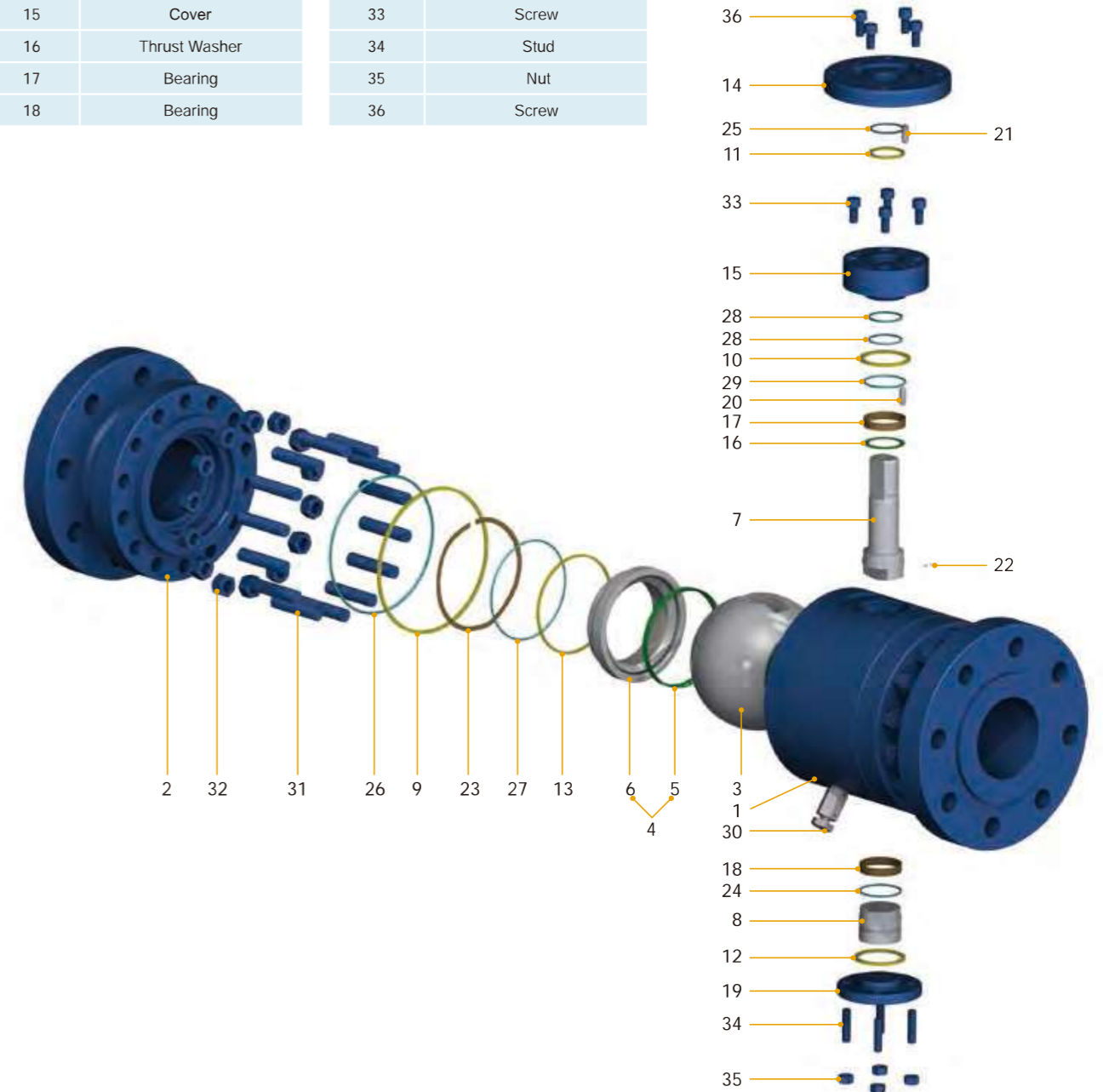


- 1 Two O-ring Seals: Prevent leakage from stem area.
- 2 Blow-out Proof Stem : Safety feature that functions to assure stem sealing at all pressures.
- 3 Back-up Metal to Metal Sealing: When primary soft-seat material is deteriorated by fire, the metal-to-metal provides shutoff.
- 4 O-ring & Gasket Combination: Prevents leakage from body connection area.
- 5 Floating Spring-loaded Seats: Assure sealing even at low pressures.

| Item | Part | Item | Part |
|------|-------------------------|------|--------------------|
| 1 | Body | 19 | Cover |
| 2 | Cap | 20 | Pin |
| 3 | Ball | 21 | Pin |
| 4 | Seat Assembly(5+6) | 22 | Anti-Static Device |
| 5 | Seat Insert | 23 | Spring |
| 6 | Seat Retainer | 24 | O-Ring |
| 7 | Stem | 25 | O-Ring |
| 8 | Trunnion | 26 | O-Ring |
| 9 | Spiral-wound Gaskets | 27 | O-Ring |
| 10 | Gasket | 28 | O-Ring |
| 11 | Gasket | 29 | O-Ring |
| 12 | Gasket | 30 | Vent Valve |
| 13 | Fire Safe Graphite Ring | 31 | Body Stud |
| 14 | Top Flange | 32 | Body Nut |
| 15 | Cover | 33 | Screw |
| 16 | Thrust Washer | 34 | Stud |
| 17 | Bearing | 35 | Nut |
| 18 | Bearing | 36 | Screw |



| Item | Part | Standard | Stainless Steel | Sour Service | Low Temperature Service |
|------|-------------------------|------------------|------------------|------------------|-------------------------|
| 1 | Body | ASTM A105N | ASTM A182 F316 | ASTM A105N | ASTM A350 LF2 |
| 2 | Cap | ASTM A105N | ASTM A182 F316 | ASTM A105N | ASTM A350 LF2 |
| 3 | Ball | ASTM A105N/ENP | ASTM A182 F316 | ASTM A105N/ENP | ASTM A350 LF2/ENP |
| 4 | Seat Assembly(5+6) | 5&6 | 5&6 | 5&6 | 5&6 |
| 5 | Seat Insert | RPTFE/NYLON/PEEK | RPTFE/NYLON/PEEK | RPTFE/NYLON/PEEK | RPTFE/NYLON/PEEK |
| 6 | Seat Retainer | ASTM A105N/ENP | ASTM A182 F316 | ASTM A105N/ENP | ASTM A350 LF2/ENP |
| 7 | Stem | ASTM A105N/ENP | ASTM A182 F316 | ASTM A105N/ENP | ASTM A350 LF2/ENP |
| 8 | Trunnion | ASTM A182 F6a | ASTM A182 F316L | ASTM A182 F6a | ASTM A182 F6a |
| 9 | Spiral-wound Gaskets | 316SS+Graphite | 316SS+Graphite | 316SS+Graphite | 316SS+Graphite |
| 10 | Gasket | 316SS+Graphite | 316SS+Graphite | 316SS+Graphite | 316SS+Graphite |
| 11 | Gasket | 316SS+Graphite | 316SS+Graphite | 316SS+Graphite | 316SS+Graphite |
| 12 | Gasket | 316SS+Graphite | 316SS+Graphite | 316SS+Graphite | 316SS+Graphite |
| 13 | Fire Safe Graphite Ring | 316SS+Graphite | 316SS+Graphite | 316SS+Graphite | 316SS+Graphite |
| 14 | Top Flange | ASTM A105N | ASTM A182 F304 | ASTM A105N | ASTM A350 LF2 |
| 15 | Cover | ASTM A105N | ASTM A182 F316 | ASTM A105N | ASTM A350 LF2 |
| 16 | Thrust Washer | PTFE | PTFE | PTFE | PTFE |
| 17 | Bearing | 316SS+PTFE+MoS2 | 316SS+PTFE+MoS2 | 316SS+PTFE+MoS2 | 316SS+PTFE+MoS2 |
| 18 | Bearing | 316SS+PTFE | 316SS+PTFE | 316SS+PTFE | 316SS+PTFE |
| 19 | Cover | ASTM A105N | ASTM A182 F316 | ASTM A105N | ASTM A350 LF2 |
| 20 | Pin | Carbon Steel | Stainless Steel | Carbon Steel | Carbon Steel |
| 21 | Pin | Carbon Steel | Stainless Steel | Carbon Steel | Carbon Steel |
| 22 | Anti-Static Device | Stainless Steel | Stainless Steel | Stainless Steel | Stainless Steel |
| 23 | Spring | Inconel X-750 | Inconel X-750 | Inconel X-750 | Inconel X-750 |
| 24 | O-Ring | HNBR/VITON | HNBR/VITON | HNBR/VITON | HNBR/VITON |
| 25 | O-Ring | NBR | NBR | NBR | NBR |
| 26 | O-Ring | HNBR/VITON | HNBR/VITON | HNBR/VITON | HNBR/VITON |
| 27 | O-Ring | HNBR/VITON | HNBR/VITON | HNBR/VITON | HNBR/VITON |
| 28 | O-Ring | HNBR/VITON | HNBR/VITON | HNBR/VITON | HNBR/VITON |
| 29 | O-Ring | HNBR/VITON | HNBR/VITON | HNBR/VITON | HNBR/VITON |
| 30 | Vent Valve | Stainless Steel | Stainless Steel | Stainless Steel | Stainless Steel |
| 31 | Body Stud | ASTM A193-B7 | ASTM A193-B8 | ASTM A193-B7M | ASTM A320-L7M |
| 32 | Body Nut | ASTM A194-2H | ASTM A194-8 | ASTM A194-2HM | ASTM A194-7M |
| 33 | Screw | ASTM A193-B7 | ASTM A193-B8 | ASTM A193-B7M | ASTM A320-L7M |
| 34 | Body Stud | ASTM A193-B7 | ASTM A193-B8 | ASTM A193-B7M | ASTM A320-L7M |
| 35 | Body Nut | ASTM A194-2H | ASTM A194-8 | ASTM A194-2HM | ASTM A194-7M |
| 36 | Screw | ASTM A193-B7 | ASTM A193-B8 | ASTM A193-B7M | ASTM A320-L7M |

① -Please contact factory for materials supplied

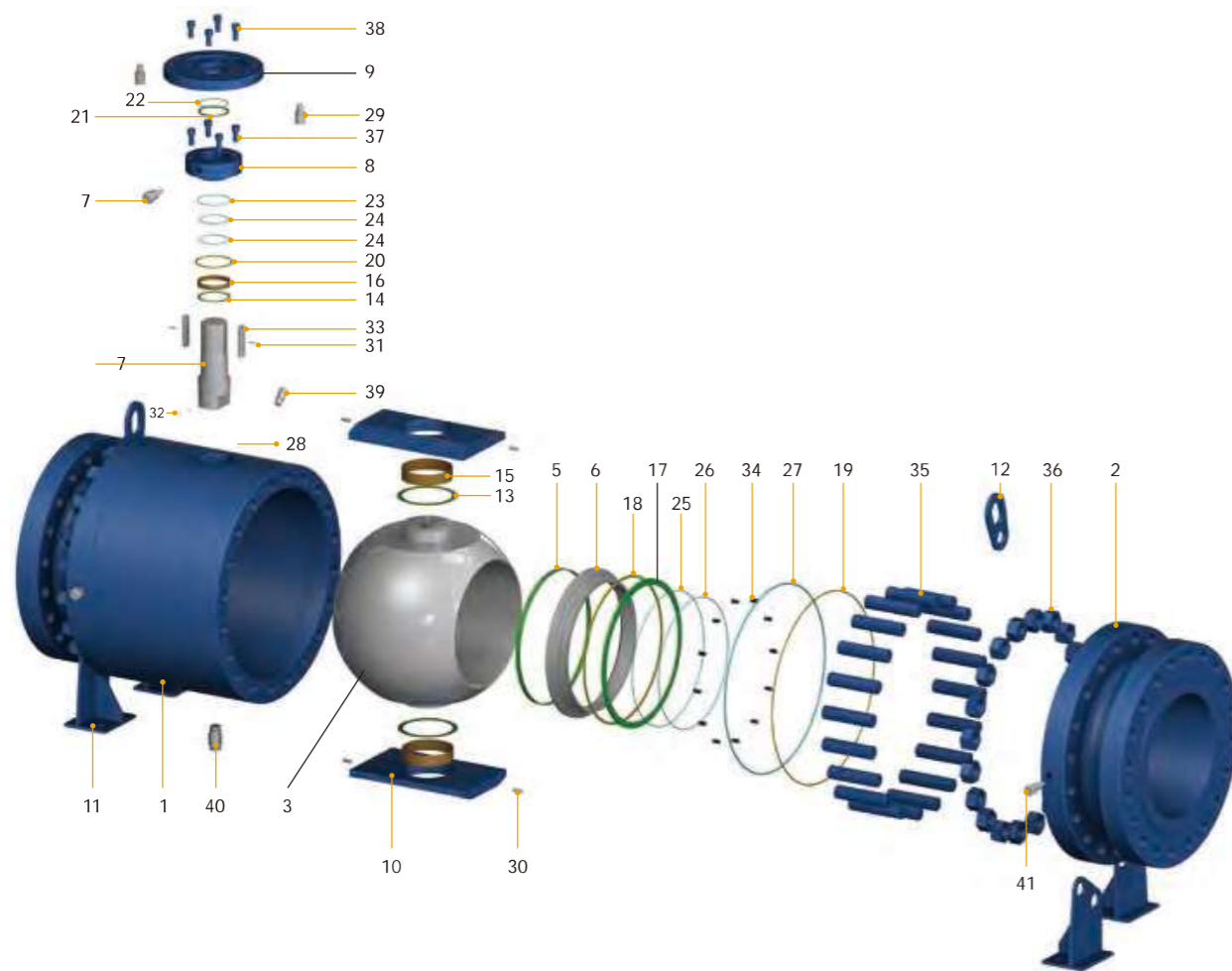


- ① Two O-ring Seals: Prevent leakage from stem area.
- ② Emergency Sealant Injection Fitting: Allows external interventions to prevent stem leakage.
- ③ Blow-out Proof Stem : Safety feature that functions to assure stem sealing at all pressures.
- ④ Emergency Sealant Injection Fitting: Allows external intervention to prevent seat leakage.
- ⑤ Back-up Metal to Metal Sealing: When primary soft-seat material is deteriorated by fire, the metal-to-metal provides shutoff.
- ⑥ O-ring & Gasket Combination: Prevents leakage from body connection area.
- ⑦ Floating Spring-loaded Seats: Assure sealing even at low pressures.

BS Series Ball Valve (6") & above

Material Specifications

| Item | Part | Item | Part |
|------|-------------------------|------|--------------------|
| 1 | Body | 22 | O-Ring |
| 2 | Cap | 23 | O-Ring |
| 3 | Ball | 24 | O-Ring |
| 4 | Seat Assembly(5+6) | 25 | O-Ring |
| 5 | Seat Insert | 26 | O-Ring |
| 6 | Seat Retainer | 27 | O-Ring |
| 7 | Stem | 28 | Pin |
| 8 | Cover | 29 | Pin |
| 9 | Top Flange | 30 | Pin |
| 10 | Bearing Support | 31 | Pin |
| 11 | Support Legs | 32 | Anti-Static Device |
| 12 | Lifting Lugs | 33 | Key |
| 13 | Thrust Washer | 34 | Spring |
| 14 | Thrust Washer | 35 | Body Stud |
| 15 | Bearing | 36 | Body Nut |
| 16 | Bearing | 37 | Screw |
| 17 | Seat Follower | 38 | Screw |
| 18 | Gasket | 39 | Vent Valve |
| 19 | Gasket | 40 | Plug |
| 20 | Gasket | 41 | Injection |
| 21 | Fire Safe Graphite Ring | 42 | Injection |

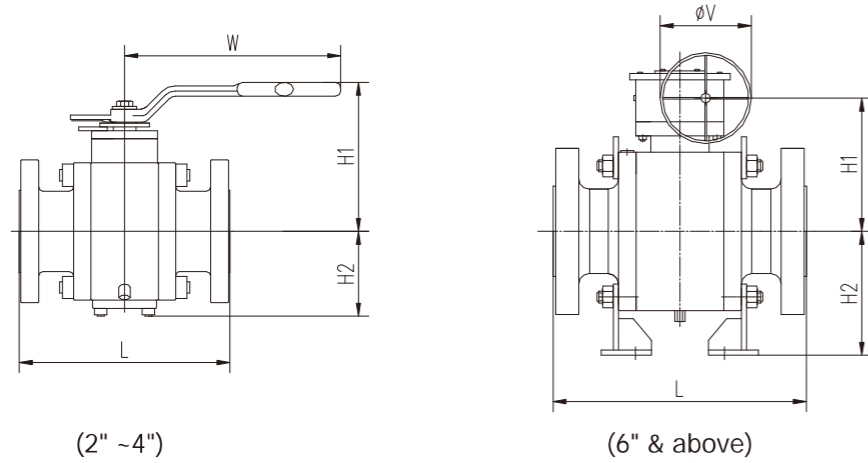


Material Specifications

BS Series Ball Valve (6") & above

| Item | Part | Standard | Stainless Steel | Sour Service | Low Temperature Service |
|------|-------------------------|------------------|------------------|------------------|-------------------------|
| 1 | Body | ASTM A105N | ASTM A182 F316 | ASTM A105N | ASTM A350 LF2 |
| 2 | Cap | ASTM A105N | ASTM A182 F316 | ASTM A105N | ASTM A350 LF2 |
| 3 | Ball | ASTM A105N/ENP | ASTM A182 F316 | ASTM A105N/ENP | ASTM A350 LF2/ENP |
| 4 | Seat Assembly(5+6) | 5&6 | 5&6 | 5&6 | 5&6 |
| 5 | Seat Insert | RPTFE/NYLON/PEEK | RPTFE/NYLON/PEEK | RPTFE/NYLON/PEEK | RPTFE/NYLON/PEEK |
| 6 | Seat Retainer | ASTM A105N/ENP | ASTM A182 F316 | ASTM A105N/ENP | ASTM A350 LF2/ENP |
| 7 | Stem | ASTM A105N/ENP | ASTM A182 F316 | ASTM A105N/ENP | ASTM A350 LF2/ENP |
| 8 | Cover | ASTM A105N | ASTM A182 F316 | ASTM A105N | ASTM A350 LF2 |
| 9 | Top Flange | ASTM A105N | ASTM A182 F304 | ASTM A105N | ASTM A350 LF2 |
| 10 | Bearing Support | ASTM A588B/ENP | ASTM A351-CF3M | ASTM A588B/ENP | ASTM A588B/ENP |
| 11 | Support Legs | Carbon Steel | Carbon Steel | Carbon Steel | Carbon Steel |
| 12 | Lifting Lugs | Carbon Steel | Carbon Steel | Carbon Steel | Carbon Steel |
| 13 | Thrust Washer | PTFE | PTFE | PTFE | PTFE |
| 14 | Thrust Washer | PTFE | PTFE | PTFE | PTFE |
| 15 | Bearing | 316SS+PTFE | 316SS+PTFE | 316SS+PTFE | 316SS+PTFE |
| 16 | Bearing | 316SS+PTFE+MoS2 | 316SS+PTFE+MoS2 | 316SS+PTFE+MoS2 | 316SS+PTFE+MoS2 |
| 17 | Seat Follower | ASTM A105N/ENP | ASTM A182 F316 | ASTM A105N/ENP | ASTM A350 LF2/ENP |
| 18 | Gasket | 316SS+Graphite | 316SS+Graphite | 316SS+Graphite | 316SS+Graphite |
| 19 | Gasket | 316SS+Graphite | 316SS+Graphite | 316SS+Graphite | 316SS+Graphite |
| 20 | Gasket | 316SS+Graphite | 316SS+Graphite | 316SS+Graphite | 316SS+Graphite |
| 21 | Fire Safe Graphite Ring | 316SS+Graphite | 316SS+Graphite | 316SS+Graphite | 316SS+Graphite |
| 22 | O-Ring | NBR | NBR | NBR | NBR |
| 23 | O-Ring | HNBR/VITON | HNBR/VITON | HNBR/VITON | HNBR/VITON |
| 24 | O-Ring | HNBR/VITON | HNBR/VITON | HNBR/VITON | HNBR/VITON |
| 25 | O-Ring | HNBR/VITON | HNBR/VITON | HNBR/VITON | HNBR/VITON |
| 26 | O-Ring | HNBR/VITON | HNBR/VITON | HNBR/VITON | HNBR/VITON |
| 27 | O-Ring | HNBR/VITON | HNBR/VITON | HNBR/VITON | HNBR/VITON |
| 28 | Pin | Carbon Steel | Stainless Steel | Carbon Steel | Stainless Steel |
| 29 | Pin | Carbon Steel | Carbon Steel | Carbon Steel | Carbon Steel |
| 30 | Pin | Stainless Steel | Stainless Steel | Stainless Steel | Stainless Steel |
| 31 | Pin | Stainless Steel | Stainless Steel | Stainless Steel | Stainless Steel |
| 32 | Anti-Static Device | Stainless Steel | Stainless Steel | Stainless Steel | Stainless Steel |
| 33 | Key | Stainless Steel | Stainless Steel | Stainless Steel | Stainless Steel |
| 34 | Spring | Inconel X-750 | Inconel X-750 | Inconel X-750 | Inconel X-750 |
| 35 | Body Stud | ASTM A193-B7 | ASTM A193-B8 | ASTM A193-B7M | ASTM A320-L7M |
| 36 | Body Nut | ASTM A194-2H | ASTM A194-8 | ASTM A194-2HM | ASTM A194-7M |
| 37 | Screw | ASTM A193-B7 | A2-70 | ASTM A193-B7 | ASTM A320-L7M |
| 38 | Screw | ASTM A193-B7 | A2-70 | ASTM A193-B7 | ASTM A320-L7M |
| 39 | Vent Valve | Stainless Steel | Stainless Steel | Stainless Steel | Stainless Steel |
| 40 | Plug | Stainless Steel | Stainless Steel | Stainless Steel | Stainless Steel |
| 41 | Injection | Stainless Steel | Stainless Steel | Stainless Steel | Stainless Steel |
| 42 | Injection | Stainless Steel | Stainless Steel | Stainless Steel | Stainless Steel |

① -Please contact factory for materials supplied

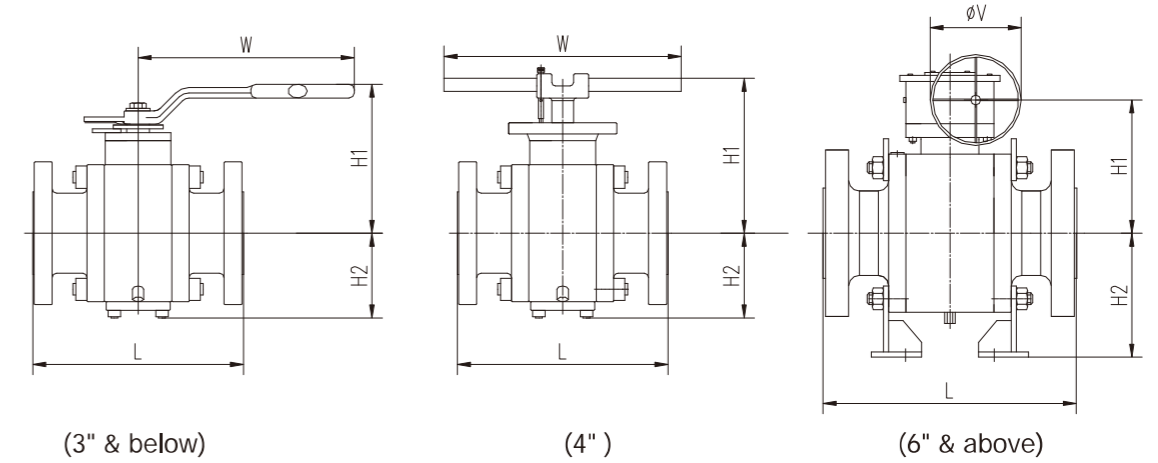


(2" -4")

(6" & above)

Class 150 Dimensions and weight

| In | | D | | L | | | | H1 | | H2 | | W | | V | | Weight | |
|----|------|-------|------|-------|------|-------|------|-------|--------|-------|--------|-------|-----|-------|------|----------|-------|
| | | | | RF | | BW | | | | | | | | | | | |
| in | mm | in | mm | in | mm | in | mm | in | mm | in | mm | in | mm | in | mm | lb | Kg |
| 2 | 50 | 1.93 | 49 | 7.01 | 178 | 8.50 | 216 | 6.78 | 172.1 | 3.52 | 89.3 | 12.99 | 330 | | | 41.89 | 19 |
| 3 | 80 | 2.91 | 74 | 7.99 | 203 | 11.14 | 283 | 7.91 | 200.8 | 4.20 | 106.8 | 15.75 | 400 | | | 57.32 | 26 |
| 4 | 100 | 3.94 | 100 | 9.02 | 229 | 12.01 | 305 | 8.75 | 222.3 | 4.98 | 126.5 | 15.75 | 400 | | | 103.62 | 47 |
| 6 | 150 | 5.91 | 150 | 15.51 | 394 | 17.99 | 457 | 10.85 | 275.5 | 10.04 | 255.0 | | | 15.75 | 400 | 352.74 | 160 |
| 8 | 200 | 7.91 | 201 | 17.99 | 457 | 20.51 | 521 | 12.32 | 313.0 | 11.46 | 291.0 | | | 15.75 | 400 | 573.20 | 260 |
| 10 | 250 | 9.92 | 252 | 20.98 | 533 | 22.01 | 559 | 14.25 | 362.0 | 13.11 | 333.0 | | | 23.62 | 600 | 983.26 | 446 |
| 12 | 300 | 11.93 | 303 | 24.02 | 610 | 25.00 | 635 | 15.73 | 399.5 | 14.57 | 370.0 | | | 23.62 | 600 | 1532.21 | 695 |
| 14 | 350 | 13.15 | 334 | 27.01 | 686 | 30.00 | 762 | 20.12 | 511.0 | 15.53 | 394.5 | | | 23.62 | 600 | 1975.34 | 896 |
| 16 | 400 | 15.16 | 385 | 30.00 | 762 | 32.99 | 838 | 21.56 | 547.5 | 16.93 | 430.0 | | | 23.62 | 600 | 2850.57 | 1293 |
| 18 | 450 | 17.17 | 436 | 34.02 | 864 | 35.98 | 914 | 23.05 | 585.5 | 18.41 | 467.5 | | | 23.62 | 600 | 3333.39 | 1512 |
| 20 | 500 | 19.17 | 487 | 35.98 | 914 | 39.02 | 991 | 24.57 | 624.0 | 19.90 | 505.5 | | | 23.62 | 600 | 3935.25 | 1785 |
| 22 | 550 | 21.18 | 538 | 39.02 | 991 | 42.99 | 1092 | 27.80 | 706.0 | 21.78 | 553.3 | | | 23.62 | 600 | 5138.97 | 2331 |
| 24 | 600 | 23.19 | 589 | 42.01 | 1067 | 45.00 | 1143 | 29.96 | 761.0 | 23.26 | 590.8 | | | 27.56 | 700 | 6393.40 | 2900 |
| 26 | 650 | 24.92 | 633 | 45.00 | 1143 | 49.02 | 1245 | 31.40 | 797.5 | 24.68 | 626.8 | | | 27.56 | 700 | 7407.52 | 3360 |
| 28 | 700 | 26.93 | 684 | 49.02 | 1245 | 52.99 | 1346 | 28.76 | 730.5 | 26.32 | 668.5 | | | 29.92 | 760 | 9363.57 | 4247 |
| 30 | 750 | 28.94 | 735 | 50.98 | 1295 | 55.00 | 1397 | 30.26 | 768.5 | 27.80 | 706.0 | | | 29.92 | 760 | 11157.58 | 5061 |
| 32 | 800 | 30.67 | 779 | 54.02 | 1372 | 60.00 | 1524 | 31.56 | 801.5 | 29.07 | 738.5 | | | 29.92 | 760 | 12708.53 | 5765 |
| 34 | 850 | 32.68 | 830 | 57.99 | 1473 | 64.02 | 1626 | 33.03 | 839.0 | 30.53 | 775.5 | | | 29.92 | 760 | 15518.76 | 7039 |
| 36 | 900 | 34.41 | 874 | 60.00 | 1524 | 67.99 | 1727 | 35.30 | 896.5 | 31.85 | 809.0 | | | 29.92 | 760 | 17627.59 | 7996 |
| 40 | 1000 | 38.43 | 976 | 67.99 | 1727 | 70.08 | 1780 | 44.98 | 1142.5 | 35.57 | 903.5 | | | 29.92 | 760 | 25525.86 | 11578 |
| 42 | 1050 | 40.16 | 1020 | 72.01 | 1829 | 72.01 | 1829 | 46.30 | 1176.0 | 36.85 | 936.0 | | | 29.92 | 760 | 28032.85 | 12716 |
| 48 | 1200 | 45.91 | 1166 | 78.54 | 1995 | 78.54 | 1995 | 50.57 | 1284.5 | 41.24 | 1047.5 | | | 29.92 | 760 | 42500.66 | 19278 |
| 54 | 1350 | 51.65 | 1312 | — | — | — | — | 54.19 | 1376.5 | 42.87 | 1089.0 | | | 35.43 | 900 | 75464.14 | 34230 |
| 56 | 1400 | 53.54 | 1360 | 97.99 | 2489 | 97.99 | 2489 | 57.74 | 1466.5 | 44.81 | 1138.3 | | | 39.37 | 1000 | 84492.06 | 38325 |
| 60 | 1500 | 57.40 | 1458 | — | — | — | — | 61.36 | 1558.5 | 47.65 | 1210.3 | | | 39.37 | 1000 | 90510.67 | 41055 |



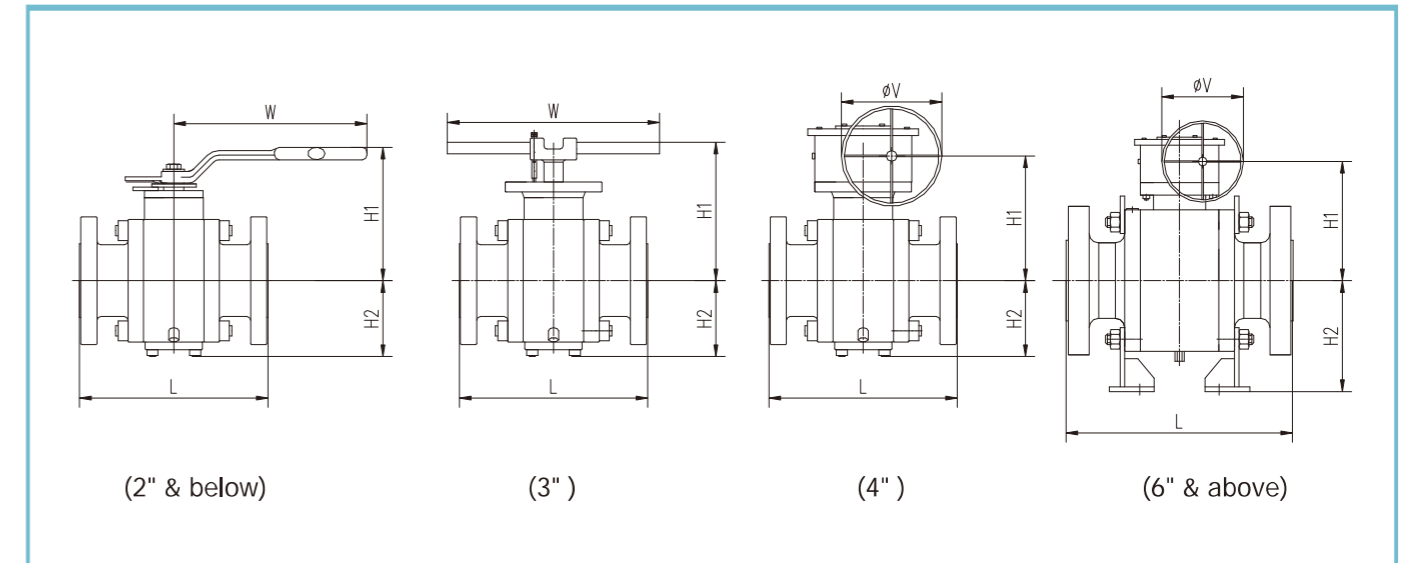
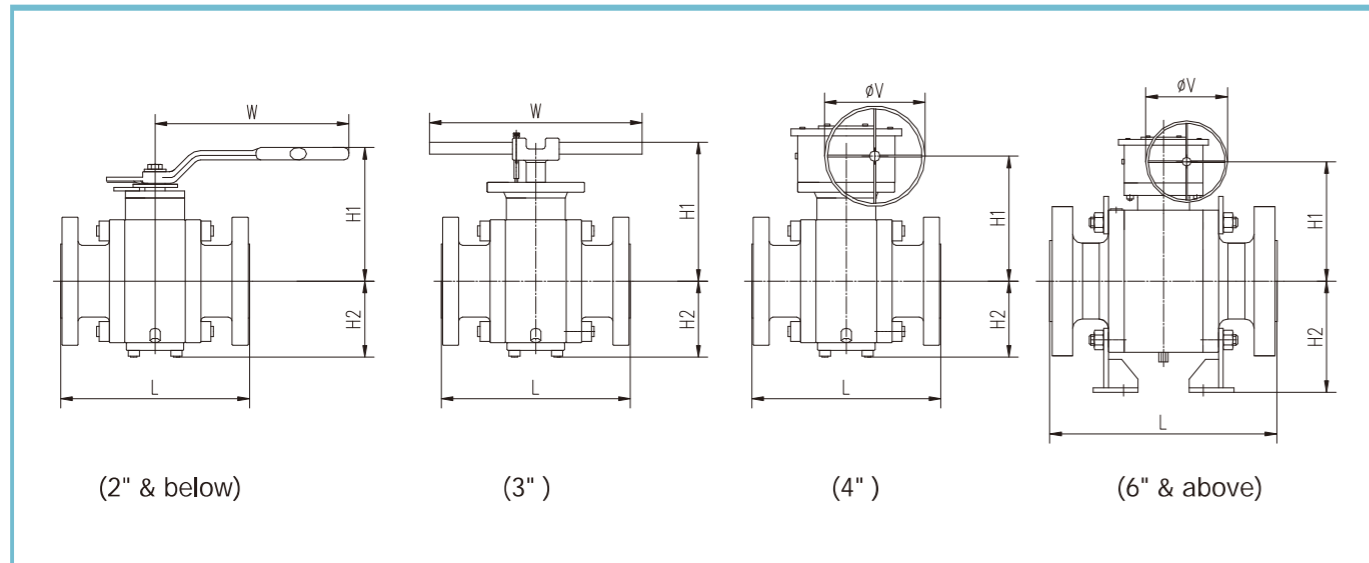
(3" & below)

(4")

(6" & above)

Class 300 Dimensions and weight

| In | | D | | L | | | | H1 | | H2 | | W | | V | | Weight | |
|----|------|-------|------|--------|------|--------|------|-------|--------|-------|--------|-------|-----|-------------|------|----------|-------|
| | | | | RF | | BW | | | | | | | | | | | |
| in | mm | in | mm | in | mm | in | mm | in | mm | in | mm | in | mm | in | mm | lb | Kg |
| 2 | 50 | 1.93 | 49 | 8.50 | 216 | 8.50 | 216 | 6.78 | 172.1 | 3.59 | 91.3 | 12.99 | 330 | | | 66.14 | 30 |
| 3 | 80 | 2.91 | 74 | 11.14 | 283 | 11.14 | 283 | 7.91 | 200.8 | 3.38 | 85.8 | 15.75 | 400 | | | 105.82 | 48 |
| 4 | 100 | 3.94 | 100 | 12.01 | 305 | 12.01 | 305 | 11.10 | 282.0 | 5.59 | 142 | 32.09 | 815 | | | 154.32 | 70 |
| 6 | 150 | 5.91 | 150 | 15.87 | 403 | 17.99 | 457 | 10.85 | 275.5 | 10.04 | 255.0 | | | 15.75 | 400 | 418.88 | 190 |
| 8 | 200 | 7.91 | 201 | 19.76 | 502 | 20.51 | 521 | 12.28 | 312.0 | 11.61 | 295.0 | | | 19.69 | 500 | 694.46 | 315 |
| 10 | 250 | 9.92 | 252 | 22.36 | 568 | 22.01 | 559 | 14.29 | 363.0 | 13.29 | 337.5 | | | 23.62 | 600 | 1172.86 | 532 |
| 12 | 300 | 11.93 | 303 | 25.51 | 648 | 25.00 | 635 | 16.08 | 408.5 | 14.93 | 379.3 | | | 23.62 | 600 | 1814.40 | 823 |
| 14 | 350 | 13.15 | 334 | 30.00 | 762 | 30.00 | 762 | 20.12 | 511.0 | 15.71 | 399.0 | | | 23.62 | 600 | 2204.62 | 1000 |
| 16 | 400 | 15.16 | 385 | 32.99 | 838 | 32.99 | 838 | 21.93 | 557.0 | 17.29 | 439.3 | | | 23.62 | 600 | 3064.42 | 1390 |
| 18 | 450 | 17.17 | 436 | 35.98 | 914 | 35.98 | 914 | 24.78 | 629.5 | 18.96 | 481.5 | | | 23.62 | 600 | 4159.02 | 1887 |
| 20 | 500 | 19.17 | 487 | 39.02 | 991 | 39.02 | 991 | 26.99 | 685.5 | 20.61 | 523.5 | | | 27.56 | 700 | 4583.40 | 2079 |
| 22 | 550 | 21.18 | 538 | 42.99 | 1092 | 42.99 | 1092 | 28.84 | 732.5 | 22.13 | 562.0 | | | 27.56 | 700 | 5703.79 | 2587 |
| 24 | 600 | 23.19 | 589 | 45.00 | 1143 | 45.00 | 1143 | 26.02 | 661.0 | 23.78 | 604.0 | | | 29.92 | 760 | 7008.49 | 3179 |
| 26 | 650 | 24.92 | 633 | 49.02 | 1245 | 49.02 | 1245 | 27.72 | 704.0 | 25.35 | 644.0 | | | 29.92 | 760 | 9052.83 | 4106 |
| 28 | 700 | 26.93 | 684 | 52.99 | 1346 | 52.99 | 1346 | 30.45 | 773.5 | 27.05 | 687.0 | | | 29.92 | 760 | 11094.75 | 5033 |
| 30 | 750 | 28.94 | 735 | 55.00 | 1397 | 55.00 | 1397 | 31.95 | 811.5 | 28.52 | 724.5 | | | 29.92 | 760 | 13556.21 | 6149 |
| 32 | 800 | 30.67 | 779 | 60.00 | 1524 | 60.00 | 1524 | 33.31 | 846.0 | 29.98 | 761.5 | | | 29.92 | 760 | 15132.51 | 6864 |
| 34 | 850 | 32.68 | 830 | 64.02 | 1626 | 64.02 | 1626 | 34.78 | 883.5 | 31.46 | 799.0 | | | 29.92 | 760 | 17872.85 | 8107 |
| 36 | 900 | 34.41 | 874 | 67.99 | 1727 | 67.99 | 1727 | 42.81 | 1087.5 | 33.37 | 847.5 | | | 29.92 | 760 | 20455.57 | 9279 |
| 40 | 1000 | 38.43 | 976 | 75.98 | 1930 | 75.98 | 1930 | 45.93 | 1166.5 | 36.61 | 930.0 | | | 29.92 | 760 | 27160.92 | 12320 |
| 42 | 1050 | 40.16 | 1020 | 82.01 | 2083 | 82.01 | 2083 | 49.69 | 1262.0 | 37.89 | 962.5 | | | 31.50 | 800 | 31647.32 | 14355 |
| 48 | 1200 | 45.91 | 1166 | 85.43 | 2170 | 85.43 | 2170 | 55.43 | 1408.0 | 39.22 | 996.3 | | | 35.43 | 900 | 46076.56 | 20900 |
| 54 | 1350 | 51.65 | 1312 | — | — | — | — | 56.93 | 1446.0 | 42.87 | 1089.0 | | | 35.43307087 | 900 | 79057.67 | 35860 |
| 56 | 1400 | 53.54 | 1360 | 100.12 | 2543 | 100.12 | 2543 | 57.74 | 1466.5 | 44.81 | 1138.3 | | | 39.37007874 | 1000 | 88515.49 | 40150 |
| 60 | 1500 | 57.40 | 1458 | — | — | — | — | 62.54 | 1588.5 | 47.65 | 1210.3 | | | | 1000 | 94820.71 | 43010 |



Class 400 Dimensions and weight

| In | | D | | L | | | | | | H1 | | H2 | | W | | V | | Weight | |
|----|------|-------|------|--------|------|--------|------|-------|------|-------|--------|-------|--------|-------|-----|-------|------|-----------|-------|
| | | | | RF | | BW | | RTJ | | | | | | | | | | | |
| in | mm | in | mm | in | mm | in | mm | in | mm | in | mm | in | mm | in | mm | in | mm | lb | Kg |
| 2 | 50 | 1.93 | 49 | 11.50 | 292 | 11.50 | 292 | 11.61 | 295 | 7.33 | 186.3 | 3.59 | 91.3 | 15.75 | 400 | | | 72.75 | 33 |
| 3 | 80 | 2.91 | 74 | 14.02 | 356 | 14.02 | 356 | 14.13 | 359 | 10.28 | 261.0 | 4.07 | 103.3 | 32.09 | 815 | | | 149.91 | 68 |
| 4 | 100 | 3.94 | 100 | 15.98 | 406 | 15.98 | 406 | 16.14 | 410 | 8.25 | 209.5 | 4.93 | 125.3 | | | 11.81 | 300 | 257.94 | 117 |
| 6 | 150 | 5.91 | 150 | 19.49 | 495 | 19.49 | 495 | 19.61 | 498 | 10.85 | 275.5 | 10.04 | 255.0 | | | 15.75 | 400 | 595.25 | 270 |
| 8 | 200 | 7.91 | 201 | 23.50 | 597 | 23.50 | 597 | 23.62 | 600 | 12.28 | 312.0 | 11.61 | 295.0 | | | 19.69 | 500 | 784.84 | 356 |
| 10 | 250 | 9.92 | 252 | 26.50 | 673 | 26.50 | 673 | 26.61 | 676 | 14.29 | 363.0 | 13.29 | 337.5 | | | 23.62 | 600 | 1245.61 | 565 |
| 12 | 300 | 11.93 | 303 | 30.00 | 762 | 30.00 | 762 | 30.12 | 765 | 19.49 | 495.0 | 15.12 | 384.0 | | | 23.62 | 600 | 2204.62 | 1000 |
| 14 | 350 | 13.15 | 334 | 32.52 | 826 | 32.52 | 826 | 32.64 | 829 | 20.51 | 521.0 | 16.08 | 408.5 | | | 23.62 | 600 | 2936.55 | 1332 |
| 16 | 400 | 15.16 | 385 | 35.51 | 902 | 35.51 | 902 | 35.63 | 905 | 23.27 | 591.0 | 17.64 | 448.0 | | | 23.62 | 600 | 4100.59 | 1860 |
| 18 | 450 | 17.17 | 436 | 38.50 | 978 | 38.50 | 978 | 38.62 | 981 | 25.26 | 641.5 | 19.29 | 490.0 | | | 23.62 | 600 | 4188.78 | 1900 |
| 20 | 500 | 19.17 | 487 | 41.50 | 1054 | 41.50 | 1054 | 41.73 | 1060 | 27.62 | 701.5 | 20.94 | 532.0 | | | 27.56 | 700 | 5407.93 | 2453 |
| 22 | 550 | 21.18 | 538 | 45.00 | 1143 | 45.00 | 1143 | 45.39 | 1153 | 25.10 | 637.5 | 22.83 | 580.0 | | | 29.92 | 760 | 7129.74 | 3234 |
| 24 | 600 | 23.19 | 589 | 48.50 | 1232 | 48.50 | 1232 | 48.86 | 1241 | 26.59 | 675.5 | 24.19 | 614.5 | | | 29.92 | 760 | 9603.32 | 4356 |
| 26 | 650 | 24.92 | 633 | 51.50 | 1308 | 51.50 | 1308 | 52.01 | 1321 | 29.63 | 752.5 | 26.22 | 666.0 | | | 29.92 | 760 | 10961.37 | 4972 |
| 28 | 700 | 26.93 | 684 | 55.00 | 1397 | 55.00 | 1397 | 55.51 | 1410 | 37.20 | 945.0 | 27.83 | 707.0 | | | 29.92 | 760 | 13216.70 | 5995 |
| 30 | 750 | 28.94 | 735 | 60.00 | 1524 | 60.00 | 1524 | 60.51 | 1537 | 38.68 | 982.5 | 29.31 | 744.5 | | | 29.92 | 760 | 15229.51 | 6908 |
| 32 | 800 | 30.67 | 779 | 65.00 | 1651 | 65.00 | 1651 | 65.63 | 1667 | 40.00 | 1016.0 | 30.79 | 782.0 | | | 29.92 | 760 | 17824.35 | 8085 |
| 34 | 850 | 32.68 | 830 | 70.00 | 1778 | 70.00 | 1778 | 70.63 | 1794 | 41.89 | 1064.0 | 32.58 | 827.5 | | | 29.92 | 760 | 19958.42 | 9053 |
| 36 | 900 | 34.41 | 874 | 74.02 | 1880 | 74.02 | 1880 | 74.61 | 1895 | 43.21 | 1097.5 | 33.90 | 861.0 | | | 29.92 | 760 | 24493.33 | 11110 |
| 40 | 1000 | 38.43 | 976 | 85.00 | 2159 | 85.00 | 2159 | — | — | 43.43 | 1103.0 | 33.73 | 856.8 | | | 35.43 | 900 | 32932.61 | 14938 |
| 42 | 1050 | 40.16 | 1020 | 85.63 | 2175 | 85.63 | 2175 | — | — | 47.15 | 1197.5 | 35.01 | 889.3 | | | 31.50 | 800 | 37370.51 | 16951 |
| 48 | 1200 | 45.91 | 1166 | 95.87 | 2435 | 95.87 | 2435 | — | — | 52.15 | 1324.5 | 39.22 | 996.3 | | | 31.50 | 800 | 53109.30 | 24090 |
| 54 | 1350 | 51.65 | 1312 | — | — | — | — | — | — | 57.22 | 1453.5 | 42.89 | 1089.5 | | | 39.37 | 1000 | 79057.67 | 35860 |
| 56 | 1400 | 53.54 | 1360 | 106.69 | 2710 | 106.69 | 2710 | — | — | 58.52 | 1486.5 | 44.81 | 1138.3 | | | 39.37 | 1000 | 109435.13 | 49639 |
| 60 | 1500 | 57.40 | 1458 | — | — | — | — | — | — | 62.54 | 1588.5 | 47.65 | 1210.3 | | | 39.37 | 1000 | 116403.94 | 52800 |

Class 600 Dimensions and weight

| In | | D | | L | | | | | | H1 | | H2 | | W | | V | | Weight | |
|----|------|-------|------|--------|------|--------|------|-------|------|-------|--------|-------|--------|-------|-----|-------|------|-----------|-------|
| | | | | RF | | BW | | RTJ | | | | | | | | | | | |
| in | mm | in | mm | in | mm | in | mm | in | mm | in | mm | in | mm | in | mm | in | mm | lb | Kg |
| 2 | 50 | 1.93 | 49 | 11.50 | 292 | 11.50 | 292 | 11.61 | 295 | 7.33 | 186.3 | 3.59 | 91.3 | 15.75 | 400 | | | 83.78 | 38 |
| 3 | 80 | 2.91 | 74 | 14.02 | 356 | 14.02 | 356 | 14.13 | 359 | 10.28 | 261.0 | 3.38 | 85.8 | 32.09 | 815 | | | 171.96 | 78 |
| 4 | 100 | 3.94 | 100 | 17.01 | 432 | 17.01 | 432 | 17.13 | 435 | 8.56 | 217.5 | 4.07 | 103.3 | | | 15.75 | 400 | 257.94 | 117 |
| 6 | 150 | 5.91 | 150 | 22.01 | 559 | 22.01 | 559 | 22.13 | 562 | 11.20 | 284.5 | 10.37 | 263.5 | | | 15.75 | 400 | 606.27 | 275 |
| 8 | 200 | 7.91 | 201 | 25.98 | 660 | 25.98 | 660 | 26.14 | 664 | 12.68 | 322.0 | 11.98 | 304.3 | | | 19.69 | 500 | 965.62 | 438 |
| 10 | 250 | 9.92 | 252 | 30.98 | 787 | 30.98 | 787 | 31.14 | 791 | 14.96 | 380.0 | 13.82 | 351.0 | | | 23.62 | 600 | 1631.42 | 740 |
| 12 | 300 | 11.93 | 303 | 32.99 | 838 | 32.99 | 838 | 33.11 | 841 | 20.00 | 508.0 | 15.45 | 392.5 | | | 23.62 | 600 | 2270.76 | 1030 |
| 14 | 350 | 13.15 | 334 | 35.00 | 889 | 35.00 | 889 | 35.12 | 892 | 22.32 | 567.0 | 16.57 | 421.0 | | | 23.62 | 600 | 2969.62 | 1347 |
| 16 | 400 | 15.16 | 385 | 39.02 | 991 | 39.02 | 991 | 39.13 | 994 | 24.13 | 613.0 | 18.23 | 463.0 | | | 23.62 | 600 | 4321.06 | 1960 |
| 18 | 450 | 17.17 | 436 | 42.99 | 1092 | 42.99 | 1092 | 43.11 | 1095 | 26.56 | 674.5 | 19.90 | 505.5 | | | 27.56 | 700 | 4817.09 | 2185 |
| 20 | 500 | 19.17 | 487 | 47.01 | 1194 | 47.01 | 1194 | 47.24 | 1200 | 23.78 | 604.0 | 21.59 | 548.5 | | | 29.92 | 760 | 7165.02 | 3250 |
| 22 | 550 | 21.18 | 538 | 50.98 | 1295 | 50.98 | 1295 | 51.38 | 1305 | 26.71 | 678.5 | 23.70 | 602.0 | | | 29.92 | 760 | 8172.53 | 3707 |
| 24 | 600 | 23.19 | 589 | 55.00 | 1397 | 55.00 | 1397 | 55.39 | 1407 | 28.25 | 717.5 | 25.24 | 641.0 | | | 29.92 | 760 | 9810.56 | 4450 |
| 26 | 650 | 24.92 | 633 | 57.01 | 1448 | 57.01 | 1448 | 57.52 | 1461 | 30.65 | 778.5 | 27.26 | 692.5 | | | 29.92 | 760 | 13568.11 | 6154 |
| 28 | 700 | 26.93 | 684 | 60.98 | 1549 | 60.98 | 1549 | 61.50 | 1562 | 38.11 | 968.0 | 28.72 | 729.5 | | | 29.92 | 760 | 14963.20 | 6787 |
| 30 | 750 | 28.94 | 735 | 65.00 | 1651 | 65.00 | 1651 | 65.51 | 1664 | 39.86 | 1012.5 | 30.53 | 775.5 | | | 29.92 | 760 | 16518.78 | 7493 |
| 32 | 800 | 30.67 | 779 | 70.00 | 1778 | 70.00 | 1778 | 70.63 | 1794 | 41.18 | 1046.0 | 31.81 | 808.0 | | | 35.43 | 900 | 19321.29 | 8764 |
| 34 | 850 | 32.68 | 830 | 75.98 | 1930 | 75.98 | 1930 | 76.61 | 1946 | 42.68 | 1084.0 | 33.27 | 845.0 | | | 35.43 | 900 | 20889.22 | 9475 |
| 36 | 900 | 34.41 | 874 | 82.01 | 2083 | 82.01 | 2083 | 82.64 | 2099 | 46.44 | 1179.5 | 34.94 | 887.5 | | | 31.50 | 800 | 26296.71 | 11928 |
| 40 | 1000 | 38.43 | 976 | 85.00 | 2159 | 85.00 | 2159 | — | — | 43.52 | 1105.5 | 33.83 | 859.3 | | | 35.43 | 900 | 36296.86 | 16464 |
| 42 | 1050 | 40.16 | 1020 | 85.63 | 2175 | 85.63 | 2175 | — | — | 47.24 | 1200.0 | 35.11 | 891.8 | | | 31.50 | 800 | 40519.15 | 18379 |
| 48 | 1200 | 45.91 | 1166 | 95.87 | 2435 | 95.87 | 2435 | — | — | 57.80 | 1468.0 | 39.32 | 998.8 | | | 31.50 | 800 | 59754.02 | 27104 |
| 54 | 1350 | 51.65 | 1312 | — | — | — | — | — | — | 58.78 | 1493.0 | 43.23 | 1098.0 | | | 39.37 | 1000 | 80495.09 | 36512 |
| 56 | 1400 | 53.54 | 1360 | 106.69 | 2710 | 106.69 | 2710 | — | — | 59.80 | 1519.0 | 44.91 | 1140.8 | | | 39.37 | 1000 | 111423.96 | 50541 |
| 60 | 1500 | 57.40 | 1458 | — | — | — | — | — | — | 62.64 | 1591.0 | 47.75 | 1212.8 | | | 39.37 | 1000 | 118520.37 | 53760 |