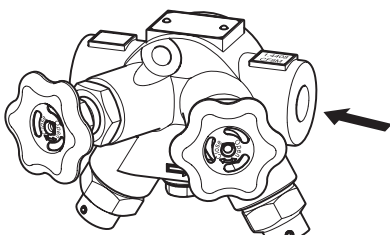
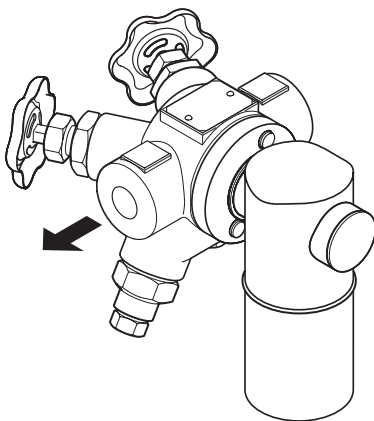


TS 36-1



TS 36-2



TS 36 with IB 16A-7

The compact-type Trap Station TS 36 features additional test and shut-off functions and is a more convenient alternative to the simpler connector units UC 36 and UCY 36.

When installed with a suitable steam trap with UNIVERSAL (Swivel) connector (sold separately) the equipment can discharge condensate from steam systems.

The two in-built **isolating valves** are designed to completely shut off the condensate inlet and outlet independently from each other.

The integral **blowdown valve** provides a means for cleaning the strainer and the **test valve** enables the steam trap operation to be checked.

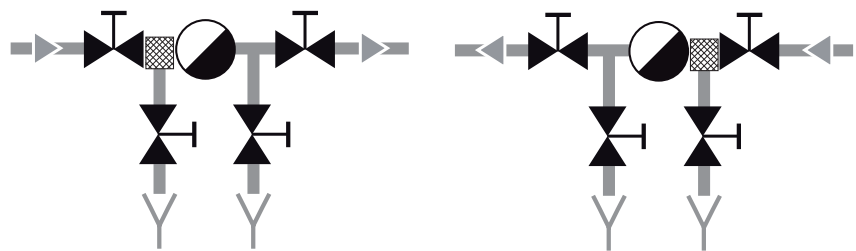
The steam traps can be easily attached to and removed from the TS 36 by means of only two screws.

The following GESTRA connector steam traps can be used:

- Bimetallic steam trap BK 36A/7
- Steam trap with membrane capsule MK 36A/71
- Steam trap with membrane capsule MK 36A/72
- Thermodynamic steam trap DK 36A/7
- Inverted bucket steam trap IB 16A-7

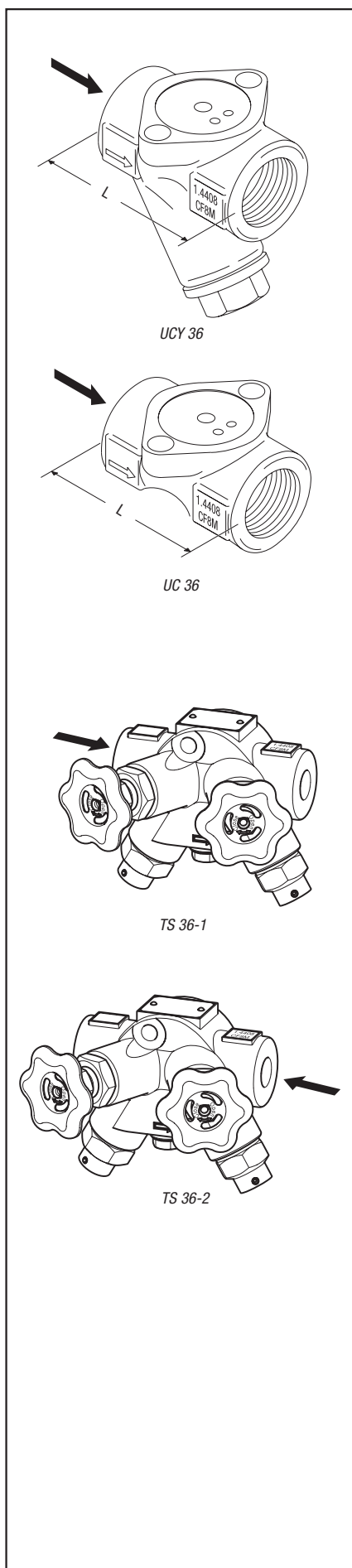
Non-GESTRA swivel connector steam traps can also be fitted to the TS 36.

Schematic diagram



TS 36-1
Flow direction from left to right

TS36-2
Flow direction from right to left



Features

- Body / internals made from corrosion-resistant stainless steels
- UNIVERSAL (Swivel) connector for steam trap
- Connector unit can remain in pipeline during maintenance work
- Steam trap unit is easy to install and remove by means of only two screws

Application

Type	
UC 36	Universal connector
UCY 36	Universal connector with integrated strainer
TS 36-1	Compact-type connector unit with 2 isolating valves, test valve and strainer with blow-down valve. Coloured handwheels indicate inlet and outlet and assist in the correct installation. Flow direction from left to right.
TS 36-2	Compact-type connector unit with 2 isolating valves, test valve and strainer with blow-down valve. Coloured handwheels indicate inlet and outlet and assist in the correct installation. Flow direction from right to left.

Pressure/Temperature Ratings

Type UC 36, UCY 36, TS 36	ASME B 16.5 Class 300 (PN 50) Material Group 2.2)				
p (pressure) [bar]	49.6	42.2	35.7	31.6	29.4
T (temperature) [°C]	38	100	200	300	400
PMO (max. service pressure)	33.7 bar at 242 °C				

Based on ASME B 16.5, ASME B 16.34

Available Connections and Lengths

Type	Connection	Length L		
		1/2"	3/4"	1"
UC 36, UCY 36	Screwed sockets NPT Screwed sockets G	75	75	75
TS 36-1, TS 36-2	Socket-weld ends	120	120	on request