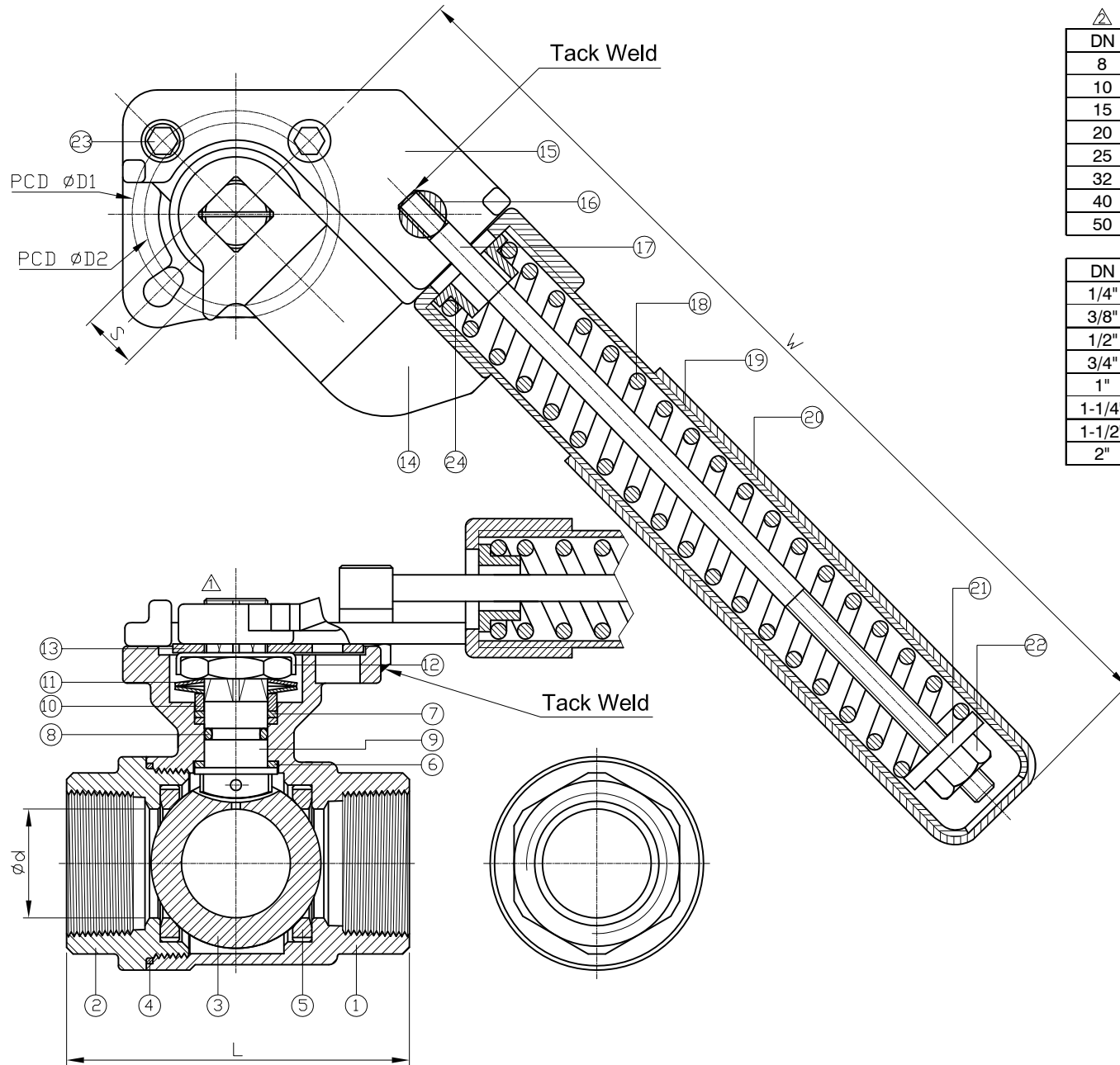


Ra	0.2	1.6	6.3	25
JIS	▽▽▽	▽▽	▽	▽
GENERAL TOLERANCE	± 0.1	± 0.2	± 0.3	± 0.5
	0.5~5	6~30	31~120	121~320
				321~1000
				± 0.8



DN	d	L	W	S	D1	D2	ISO5211
8	11.6	58	187	9	42	36	F03/F04
10	12.7	58	187	9	42	36	F03/F04
15	15	58	187	9	42	36	F03/F04
20	20	65.6	187	9	42	36	F03/F04
25	25	78.7	249	11	50	42	F04/F05
32	32	90	249	11	50	42	F04/F05
40	38	105	298	14	70	50	F05/F07
50	50	124	298	14	70	50	F05/F07

unit:mm

DN	d	L	W	S	D1	D2	ISO5211
1/4"	0.46	2.28	7.36	0.35	1.65	1.42	F03/F04
3/8"	0.5	2.28	7.36	0.35	1.65	1.42	F03/F04
1/2"	0.59	2.28	7.36	0.35	1.65	1.42	F03/F04
3/4"	0.79	2.58	7.36	0.35	1.65	1.42	F03/F04
1"	0.98	3.1	9.8	0.43	1.97	1.65	F04/F05
1-1/4"	1.26	3.54	9.8	0.43	1.97	1.65	F04/F05
1-1/2"	1.5	4.13	11.73	0.55	2.76	1.97	F05/F07
2"	1.97	4.88	11.73	0.55	2.76	1.97	F05/F07

unit:in

ITEM	PARTS	MATERIAL	
		ASTM A351-CF8M	ASTM A216-WCB
1	BODY	ASTM A351-CF8M	ASTM A216-WCB
2	CAP	1.4408	1.0619
3	BALL	ASTM A351-CF8M	
4	BODY SEAL	PTFE	
5	BALL SEAT	PTFE / RTFE / TFM 1600	
6	THRUST WASHER	PTFE	
7	PACKING	PTFE	
8	O-RING	VITON	
9	STEM	ASTM A276-316	
10	GLAND RING	AISI 304	
11	BELLEVILLE WASHER	AISI 301	
12	LOCK WASHER	AISI 304	
13	STEM NUT	AISI 304	
14	HANDLE HEAD	ASTM A351-CF8	
15	STOPPER	ASTM A351-CF8	
16	SCREW	AISI 304	
17	SPRING ROD	AISI 304	
18	SPRING	55CRSI	
19	STEEL TUBE	AISI 304	
20	HANDLE SLEEVE	PVC	
21	FLAT WASHER	AISI 304	
22	HEX NUTS	AISI 304	
23	BOLT	AISI 304	
24	TRUNNION SEAT	NYLON	

△			
△	Remove dimension	07/21/2016	Ray
△	Remove part	07/21/2016	Ray
Revise	Description	Date	Approve

DRAWING NO. **2006SD030HD-16A**



CHECK BY	DRAWING BY	DATE	SPECIFICATION	2-PC Screwed End Ball Valve 1000 WOG
	Yuan	Jul.21.2016	MATERIAL	CF8M/WCB
			PROCESS/Nr.	
			UNIT / SCALE	mm

